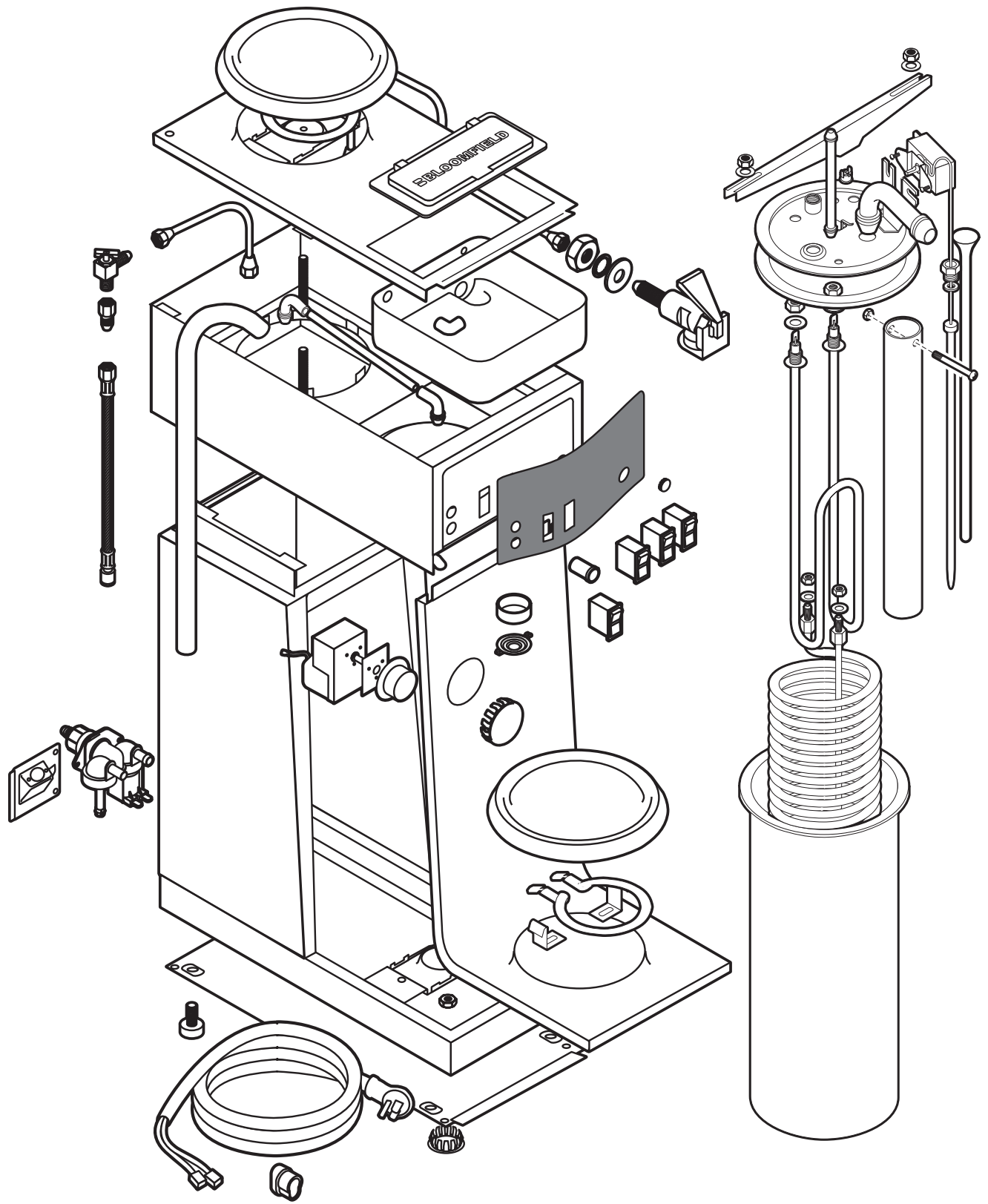


2008 SERVICE PARTS PRICE LIST



BLOOMFIELD

2 Erik Circle ♦ P.O. Box 280 ♦ Verdi, Nevada 89439

BLOOMFIELD INDUSTRIES **SUGGESTED LIST PRICES**

PRICES

The prices shown are suggested retail prices. They are effective December 15, 2007 and are subject to change without notice. Invoices reflect prices in effect at time of shipment. These prices are exclusive of all sales taxes or any special taxes that may be levied by Federal, State or City governments. All prices are in U.S. Dollars.

ORDER ENTRY

All parts must be ordered by part number. Please refer to service Manuals, service bulletins and current price lists for correct numbers. If part numbers are not available, please specify model, serial number, voltage, miscellaneous markings, etc. to assist in identification. Additional information concerning any part numbers not shown in this list may be obtained by consulting our Service Parts Department. **Please utilize our fax number (775) 689-5976 for all routine orders. This will expedite your order and eliminate shipping errors.**

TERMS

1%, 10 days; Net 30 days. A 1.5% monthly service charge will be added to all past due accounts. All orders are subject to acceptance by Bloomfield; in accordance with our "Terms of Sale", regardless of any form in which a purchase order is submitted.

MINIMUM ORDER \$25 NET

A \$4.50 handling charge will be applied to all orders under \$25 Net. Notify factory (fax: 775-689-5976) of any shortages of shipments within five (5) working days upon receipt of order.

QUALIFICATION FOR PREPAID FREIGHT

All purchases of \$500 Net of Bloomfield service parts for shipment to one location at one time will have the freight prepaid by Bloomfield to anywhere in the continental U.S., UPS Ground. This includes back orders.

SHIPPING

All orders are normally shipped prepaid via UPS and the cost added to the invoice. Freight orders are normally shipped freight collect. Request for air shipments **must** be faxed or phoned in **prior to 1:00 P.M. Pacific Standard Time** and should be limited to emergencies. **All back orders will be charged freight.**

DAMAGES AND SHORTAGES

- A. Inspect your shipments immediately. The transportation company is responsible for merchandise while it is in transit to you.
- B. If there is a shortage or damage to your shipment, action must be taken by you to notify carrier within **48 hours** of receipt of shipment to assure approval of claim. It is the duty and responsibility of the delivering carrier to give you a written report of such shortage or damage following notification.
- C. For **visible shortage or damage do not accept deliver unless the condition is noted on your copy of the freight bill and signed by the driver.** If damaged and unacceptable, please advise the carrier of this and also notify Bloomfield.
- D. **CONCEALED DAMAGE:** If the damage is concealed, notify the carrier within 48 hours by phone and in writing, asking them to send their agent to complete an inspection report. **Retain all cartons and merchandise for their inspection report and claim approval.**
- E. It is critical that you file a written claim with the carrier within 48 hours of receipt of shipment for any shortage or concealed damage. Enclose within your claim:
 1. **Carrier's Inspection Report**
 2. **Paid Freight Bill**
 3. **Original or Certified copy of Invoice**

RETURNED GOODS POLICY

Goods cannot be returned without prior approval from Bloomfield Industries. Returned goods must be shipped to Bloomfield Industries prepaid and will be credited at invoice less 20% restocking charge. Returned goods must be in unused, unopened, in the original carton, and returned within 180 days maximum with a copy of the original invoice. Items with dealer net price of less than \$30 will not be accepted unless return is due to factory error. A Return Authorization Number must be obtained from the Service Parts Department, and a numbered form with the carton label will be mailed to the customer for each request.

TABLE OF CONTENTS

SERVICE PARTS LIST	EQUIPMENT	PAGE	SERVICE PARTS LIST	EQUIPMENT	PAGE
	AIRPOT BREWERS			SATELLITES	
BL1082	EBC 1082/1088	1	BL9105	SATELLITE 1-3/4 GALLON	25
BL1092	EBC 1092/1093	1	BL9105DP	SATELLITE HEATED	25
BL8773	AIRPOT BREWER	2		TEA BREWERS	
BL87808	AIRPOT BREWER	3	BL8356BLT	BREWER TEA 8356BLT	26
BL8783MCD	BREWER MCDS UK/EXP	4	BL8357	BREWER TEA 8357	26
	AIRPOTS		BL8742	TEA BREWER 8742	27
BL7750	AIRPOT 7750-7753	5	BL8746	TEA BREWER 8746	28
BL7754	AIRPOT 7754	5		TEA DISPENSERS	
BL7759	AIRPOT 7759	5	BL8966	TEA DISPENSERS 3 - 5 GAL	29
BL7775	AIRPOT 7775-7775SGD	5		DUAL PURPOSE	
BL7780	AIRPOT 7780 3.0L	5	BL8781A	BREWER 8781 COFF/TEA	30
BL7865	AIRPOT 7768 2.2L	5	BL8781BC	BREWER COFFEE/TEA	31
BL7867	AIRPOT 7867 3.0L	5		E-MAX BREWERS	
BL7880	AIRPOT 7887 3.0L	6	BL0MAX	E-MAX BREWERS	32
BL8881	AIRPOT 8881	6		WARMERS	
BL8884	AIRPOT 8884	6	BL8553	WARMER 8553 - 8554	33
	THERMAL BREWERS		BL8841	SINGLE WARMER TIP SW	33
BL1080	EBC BREWER 10890/1088	6	BL8852	WAMRER 8852/8853	34
	DECANTER BREWERS			MISCELLANEOUS	
BL1012	EBC BREWER 1012/1016	7	BL8719	COFFEE REFILL CENTER	34
BL1016	EBC MCDS 1016BVM	8		HOT WATER DISPENSERS	
BL1040	EBC BREWER 1040	9	PL712	1222, 1225, 1226	35
BL1072	EBC BREWER 1072/1074	10			
BL8516	BREWER 8516	11			
BL8572	BREWER 8512 - 8574	12			
BL8718	BREWER 8718 MCDS	13			
BL8738	BREWER 8738 MCDS	14			
BL8752	BREWER 8751-8752	15			
BL9012	BREWER 9010 - 9017	16			
	SATELLITE BREWERS / DOCKING STATIONS				
BLOSDS	SAT DOCKING STATION	17			
BLOSS1	SATELLITE BREWER	18			
BLOSS2	SATELLITE DUAL BREWER	19			
BLOSS2HE	SATELLITE ELECTRONIC	20			
BLOSS2HM	SATELLITE MANUAL CTR	20			
BLOSS2SB	SATELLITE DUAL BREWER	21			
BL8702	BREWER 87028/8703	22			
BL8706	BREWER SATELLITE 8706	23			
BL9102A	BREWER 9010 - 9104A	24			
				ACCESSORIES AND SERVICE PARTS LIST PRICING	36

BL1082 EBC BREWER 1082/1088**BL1092 EBC BREWER 1092/1093**

PART NUMBER	DESCRIPTION
ELEMENTS:	
8716-1	ELEM 240V 3500W
8780-18	ELEM 120V 1800W TANK HTG
CONTROLS (THERMOSTATS & INFINITE SWITCHES):	
1080-225	BOARD POWER THERMAL BREWER N/S
1080-226	BOARD CONTROL THERM DECANT BRW
8043-83	THERMO HI LIMIT
MISC. ELECTRICAL:	
1080-35	KIT CONV OLD PROBE TO NEW CNTL
1080-36	KIT CONV NEW PROBE TO OLD CNTL
MISC. MECHANICAL:	
SA 9052	STRAINER
1080-10	KEYPAD GOURMET 1000 THERMAL BR
1080-30	PROBE TEMP 5 1/2"W/NUT 83644
1080-40	PLATE DIAL
35-210	STRAIN RELIEF LQ TIGHT
8033-55	LEG LEVELER PLATED
8033-56	CAP LEVELER
8043-10	TANK BODY
8043-11	ELBOW OUTLET
8043-12	GASKET COVER TANK
8043-13	ELBOW SPRAYER
8043-15	TUBE VENT
8043-24	TUBE INLET WATER
8043-26	TUBE OUTLET WATER 4 3/4 LG
8043-47	SCREW PHL 10-32X1 LG
8043-5	STRAP HOLD DOWN
8043-8	ELBOW INLET
81732	LEG ASSY LEVELING
82556	FAUCET ASSY PRESSURE N/S
83147	WASHER GYLON 1/2 ID 3/4 OD
83148	WASHER GYLON 7/16 ID 3/4 OD
83329	VALVE SOL .5 GPM FLOW DISK
8514-26	VALVE NEEDLE SEAT
8514-68	COVER TANK
8540-3	TUBE OUTLET ASSY 10 7/16 LG
8540-30	ELBOW POLYPROPYLENE
8540-4	TUBE FORMED INLET
8540-6	COIL ASSY HOT WATER
8541-21	PAN BASIN
8541-46	HOSE INLET WATER 13IN
8541-48 A	FITTING 90 EL BR1/4NPTX7/16-20
8542-6	BASIN COVER ASSY
8543-42	HEAD GASKET SPRAY
8543-44	DISC SPRAYER
8543-45	RETAINER HEAD SPRAY
8543-46	COVER HINGE
8543-49	HINGE COVER WIRE
8543-69	BUSHING SHORTY HEYCO
8551-35	FITTING INLET T
8572-13	* BASIN BODY ASSY KK
8572-20	INLET TUBE ASSY
8572-26	VALVE NEEDLE ASSY
8572-34	DOOR ACCESS SOLENOID
8706-75	BUTTON PLUG 2IN
8779-L	LEG ALUM BLK ANOD. CAN BREWERS
8861-18	BUMPERS RUBBER BLACK
8941-20	FITTING ADAPTER
8942-6	CHAMBER BREW BROWN
8942-6B	CHAMBER BREW BLACK
HARDWARE:	
1080-31	GROMMET PROBE
7506-30	SCREW 8-32X3/8 TAPG
8043-28	NUT HEX BR 1/2-20
8043-30	GASKET ELEM HTG
8043-47	SCREW PHL 10-32X1 LG
8043-506	NUT ACR SS 8-32
8543-23	NUT TNR ZI #8
8543-52	SCREW PHL SS 8X3/8
8543-73	SCREW PAN SLT SS 4-40 X 1
8543-74	NUT HEX 4-40
8710-10	NUT HEX BR 7/16-20 X 1/8
8861-23	SCREW PHL 8X3/8
8881-8	WASHER FLAT .515X.875X.031
8941-21	NUT BR 7/16-20

PART NUMBER	DESCRIPTION
ELEMENTS:	
8549-1	ELEM 120V 2000W
8716-1	ELEM 240V 3500W
CONTROLS (THERMOSTATS & INFINITE SWITCHES):	
1080-225	BOARD POWER THERMAL BREWER N/S
1080-226	BOARD CONTROL THERM DECANT BRW
8043-83	THERMO HI LIMIT
MISC. ELECTRICAL:	
1080-35	KIT CONV OLD PROBE TO NEW CNTL
1080-36	KIT CONV NEW PROBE TO OLD CNTL
8552-18	TERM BLOCK
MISC. MECHANICAL:	
SA 9052	STRAINER
1080-10	KEYPAD GOURMET 1000 THERMAL BR
1080-30	PROBE TEMP 5 1/2"W/NUT 83644
1080-40	PLATE DIAL
8033-55	LEG LEVELER PLATED
8033-56	CAP LEVELER
8043-10	TANK BODY
8043-11	ELBOW OUTLET
8043-12	GASKET COVER TANK
8043-13	ELBOW SPRAYER
8043-15	TUBE VENT
8043-24	TUBE INLET WATER
8043-26	TUBE OUTLET WATER 4 3/4 LG
8043-5	STRAP HOLD DOWN
8043-8	ELBOW INLET
81732	LEG ASSY LEVELING
82556	FAUCET ASSY PRESSURE N/S
83147	WASHER GYLON 1/2 ID 3/4 OD
83148	WASHER GYLON 7/16 ID 3/4 OD
83329	VALVE SOL .5 GPM FLOW DISK
8512-45	COVER TANK
8514-26	VALVE NEEDLE SEAT
8540-4	TUBE FORMED INLET
8540-6	COIL ASSY HOT WATER
8541-21	PAN BASIN
8541-46	HOSE INLET WATER 13IN
8541-48 A	FITTING 90 EL BR1/4NPTX7/16-20
8543-42	HEAD GASKET SPRAY
8543-44	DISC SPRAYER
8543-46	COVER HINGE
8543-49	HINGE COVER WIRE
8551-35	FITTING INLET T
8572-20	INLET TUBE ASSY
8572-26	VALVE NEEDLE ASSY
8572-34	DOOR ACCESS SOLENOID
8706-102	REDUCER ADAPTER
8706-75	BUTTON PLUG 2IN
8779-L	LEG ALUM BLK ANOD. CAN BREWERS
8861-18	BUMPERS RUBBER BLACK
8941-20	FITTING ADAPTER
8942-6	CHAMBER BREW BROWN
8942-6B	CHAMBER BREW BLACK
HARDWARE:	
1080-31	GROMMET PROBE
7506-30	SCREW 8-32X3/8 TAPG
8043-28	NUT HEX BR 1/2-20
8043-47	SCREW PHL 10-32X1 LG
8043-506	NUT ACR SS 8-32
8543-23	NUT TNR ZI #8
8543-52	SCREW PHL SS 8X3/8
8543-73	SCREW PAN SLT SS 4-40 X 1
8543-74	NUT HEX 4-40
8710-10	NUT HEX BR 7/16-20 X 1/8
8861-23	SCREW PHL 8X3/8
8881-8	WASHER FLAT .515X.875X.031
8941-21	NUT BR 7/16-20

BL8773 AIRPOT BREWER

PART NUMBER	DESCRIPTION
ELEMENTS:	
8053-1 B	ELEM 240V 1800W
MISC. ELECTRICAL:	
8738-1	TIMER 2MIN 240V 9012EU 9012KO
8738-2	LIGHT PILOT GREEN 250V
MISC. MECHANICAL:	
35-212	STRAIN RELIEF SMALL
82556	FAUCET ASSY PRESSURE N/S
8706-20	TUBE VENT LONG
8707-50	HOSE INLET WTR 1 5IN
8726-1	VALVE SOLENOID 240V

THIS SPACE BANK

BL8780 AIRPOT BREWER**BL8780 AIRPOT BREWER cont'd.**

PART NUMBER	DESCRIPTION
ELEMENTS:	
8043-14	ELEM 120V 1500W
8549-1	ELEM 120V 2000W
8572-18	ELEM 120V 100W
8716-1	ELEM 240V 3500W
8780-18	ELEM 120V 1800W TANK HTG
CONTROLS (THERMOSTATS & INFINITE SWITCHES):	
8043-83	THERMO HI LIMIT
8512-51	THERMO
8552-50	THERMO HI LIMIT RESET 240V
HARDWARE FOR ELEMENTS AND THERMOSTATS:	
8512-41	WASHER SEAL THERMO 5/16 OD
SWITCHES (ROCKER & TOGGLE):	
8528-40	SWITCH ROCKER 240V
8554-5	* SWITCH 3POSITION
8707-34	SWITCH ON OFF LIT 120V
8707-55	BREW SWITCH ROCKER
MISC. ELECTRICAL:	
6407-15	CORD & CAP ASSY 4WLS
8552-18	TERM BLOCK
8718-1	TIMER W/KNOB 2MIN 120V
8718-31	LIGHT PILOT GREEN 125V
MISC. MECHANICAL:	
8033-55	LEG LEVELER PLATED
8033-56	CAP LEVELER
8033-60	BUTTON PLUG 3/8 DIA
8043-10	TANK BODY
8043-11	ELBOW OUTLET
8043-12	GASKET COVER TANK
8043-13	ELBOW SPRAYER
8043-15	TUBE VENT
8043-24	TUBE INLET WATER
8043-26	TUBE OUTLET WATER 4 3/4 LG
8043-30	GASKET ELEM HTG
8043-5	STRAP HOLD DOWN
8043-8	ELBOW INLET
82556	FAUCET ASSY PRESSURE N/S
8512-45	COVER TANK
8514-26	VALVE NEEDLE SEAT
8514-68	COVER TANK
8540-3	TUBE OUTLET ASSY 10 7/16 LG
8540-30	ELBOW POLYPROPYLENE
8540-4	TUBE FORMED INLET
8540-6	COIL ASSY HOT WATER
8541-120	VALVE SOL
8541-120CS	COIL SOL 120V
8541-120F	VALVE FLO CONTROL
8541-120JS	KIT SOL REPAIR
8541-120K	REPAIR KIT SOL VALVE
8541-120KS	KIT SOL REBUILD
8541-21	PAN BASIN
8541-46	HOSE INLET WATER 13IN
8542-6	BASIN COVER ASSY
8543-1	COVER BACK 8706
8543-300	TANK COVER ASSY
8543-42	HEAD GASKET SPRAY
8543-44	DISC SPRAYER
8543-46	COVER HINGE
8549 WF-300	COVER ASSY TANK
8549-7	COVER BACK 8706
8551-275	KIT FAUCET REPAIR O/S H&H
8551-275 A	DISC
8552-180	TANK COVER SUB ASSY AUTO
8572-16	WARM TOP
8700-16	PLATE COVER WARMER BLACK
8706-102	REDUCER ADAPTER
8706-169B	HANDLE FAUCET RED
8707-2	HANDLE BLACK
8707-4	SUPPORT FRAME FILTER
8707-6	CHAMBER BREW
8716-300	TANK COVER SUB ASSY AUTO
8717-300	TANK COVER ASSY A/F 240 3500W
8718-48	BRKT HI LIMIT
8751-11	BASIN BODY ASSY 8751/52
8751-15	PANEL BACK BASIN
8751-17	BOTTOM PLATE SUB ASSY 8751

PART NUMBER	DESCRIPTION
MISC. MECHANICAL CONT'D	
8751-19	COVER BACK WARMER
8751-24	PANEL WIRING ACCESS 5 WRMR
8751-30	TUBE 2 3/8 SILICONE
8751-31	LABEL RR WARMER 8751
8751-32	LABEL FR WARMER 8751
8752-1	FORMED TUBE ASSY
8752-5	TUBE STRAIGHT
8810-12	PLUG BUTTON DOT 1/2DIA
8873-12	ELBOW MALE
8942-33	GASKET
HARDWARE:	
18-84	NUT HEX 8-32X1/8
3-100	SCREW RD HD 6-32 X1/4
616-5	SCREW 6-32X3/4
7200-6X	SCREW PAN SLT ZI 8-32 X 3/8
7506-30	SCREW 8-32X3/8 TAPG
8043-28	NUT HEX BR 1/2-20
8043-47	SCREW PHL 10-32X1 LG
8043-506	NUT ACR SS 8-32
8541-120WS	WRENCH SERVICE
8541-122	SCREW PAN PHL SS 10-32X1/2
8541-48 A	FITTING 90 EL BR1/4NPTX7/16-20
8543-23	NUT TNR ZI #8
8543-49	HINGE COVER WIRE
8543-52	SCREW PHL SS 8X3/8
8543-69	BUSHING SHORTY HEYCO
8543-73	SCREW PAN SLT SS 4-40 X 1
8543-74	NUT HEX 4-40
8543-80	CLIP MTG
8551-100A	SEAL NEOPRENE .125X.625X1
8551-100B	WASHER 7/16 EXTERNAL SEMS
8551-100C	NUT HEX BR 7/16-20 LOW PROF
8551-200 A	O-RING 1/4IN OD
8551-200 B	O-RING 5/16IN OD
8551-200 C	O-RING 3/8IN OD
8551-200 E	TOOL ADAPTOR
8551-30	CONNECTOR BRASS
8551-35	FITTING INLET T
8551-53	WASHER SS
8707-3	SCREW HEX 10-32X5/16
8710-10	NUT HEX BR 7/16-20 X 1/8
8751-27	FITTING INLET
8751-28	FITTING OUTLET
8861-16	NUT 6-32
8861-23	SCREW PHL 8X3/8
8881-8	WASHER FLAT .515X.875X.031
8941-20	FITTING ADAPTER
8941-21	NUT BR 7/16-20

BL8783MCD BREWER MCDS UK/EXP

PART NUMBER	DESCRIPTION
ELEMENTS:	
8053-1 B	ELEM 240V 1800W
82529	ELEM ASSY WARMER 240V 8783MCD
8533-32	ELEM WARMER 240V 100W/220V 85W
CONTROLS (THERMOSTATS & INFINITE SWITCHES):	
8043-83	THERMO HI LIMIT
82956	THERMO HI-LIMIT MANUAL
8512-51	THERMO
HARDWARE FOR ELEMENTS AND THERMOSTATS:	
8512-41	WASHER SEAL THERMO 5/16 OD
SWITCHES (ROCKER & TOGGLE):	
81756	SWITCH ON OFF LTD BLK 240V 16A
8563-110	SWITCH ON OFF LTD BLACK 240V
8572-24	SWITCH START BREW
8726-4	SWITCH 240V LIGHTED
9104-1	SWITCH TOGGLE
MISC. ELECTRICAL:	
82111	CIRCUIT BOARD PROBE 8783MCD
82114	PROBE 8783MCD
82122	LIGHT PILOT RED .312 DIA
82599	CORD & CAP ASSY 32A/220V UK
8552-18	TERM BLOCK
8706-160	CONNECTOR
8738-1	TIMER 2MIN 240V 9012EU 9012KO
8738-2	LIGHT PILOT GREEN 250V
MISC. MECHANICAL:	
IWH 1-6	LABEL CAUTION HOT
68538	ADAPTER SHAFT THERMO 400GM
8033-55	LEG LEVELER PLATED
8033-56	CAP LEVELER
8033-60	BUTTON PLUG 3/8 DIA
8043-10	TANK BODY
8043-11	ELBOW OUTLET
8043-12	GASKET COVER TANK
8043-13	ELBOW SPRAYER
8043-15	TUBE VENT
8043-24	TUBE INLET WATER
8043-26	TUBE OUTLET WATER 4 3/4 LG
8043-30	GASKET ELEM HTG
8043-5	STRAP HOLD DOWN
8043-8	ELBOW INLET
81732	LEG ASSY LEVELING
82112	BRACKET CIRCUIT BOARD 8783MCD
82115	GROMMET 1/4 ID
82127	LABEL BASIN FR 8783MCD
82486	LABEL CAUTION HOT LIQUID
82579	SEAT CUP FAUCET FOR 8783-1
82580	KIT REPAIR FAUCET 8783-1 W/HDL
83910	STRAINER ASSY MCD
8512-45	COVER TANK
8516-142	TUBE INLET HOSE 17 1/4IN SI
8528-75	BASE SUB ASSY 8718
8540-30	ELBOW POLYPROPELYNE
8541-C2	INSERT BASKET BREW
8541-201	LABEL CAUTION HOT DECANter
8543-42	HEAD GASKET SPRAY
8543-44	DISC SPRAYER
8593-44	CAP DRAIN PLATED
8700-16	PLATE COVER WARMER BLACK
8706-20	TUBE VENT LONG
8706-210	POLY BRAID HOSE ASSY
8706-75	BUTTON PLUG 2IN
8707-129	LABEL WARNING
8707-2	HANDLE BLACK
8707-4	SUPPORT FRAME FILTER
8718-61	PLATE BOT
8718-8	BASIN COVER ASSY MCD
8718-9	COVER BASIN PAN
8726-1	VALVE SOLENOID 240V
8781-46	PAN BASIN
8783-1	FAUCET HOT WATER
8783-10	PANEL FR 8783
8783-13	BODY & BASE ASSY 8783MCD EXP
8783-15	PLATE BOT REAR ASSY 8783
8783-16	COVER BACK SOLENOID 8783
8783-19	TUBE ASSY 8783

BL8783MCD BREWER MCDS UK/EXP cont'd.

PART NUMBER	DESCRIPTION
MISC. MECHANICAL CONT'D	
8783-20	TUBE ASSY 8783
8783-21	TANK WELDED ASSY
8783-23	HOSE FAUCET HOT WATER
8783-27	HOSE CONNECTOR
8783-34	TANK COVER WELDED ASSY 8783
8783-5	BASIN COVER ASSY 8783MCD 240V
8783-7	BASIN BODY ASSY 8783
8812-33	ASSY FILL TUBE
8812-41	OUTLET ELBOW ASSY TEA BREWER
8942-33	GASKET
9102-8	ELBOW 1/4 FPT/HOSE
HARDWARE:	
18-302	* NUT HEX SS 8-32
18-84	NUT HEX 8-32X1/8
3-100	SCREW RD HD 6-32 X1/4
616-5	SCREW 6-32X3/4
6440-1	SEAL DRAIN CAP HD
7200-6X	SCREW PAN SLT ZI 8-32 X 3/8
7510-22	NUT HEX BR 1/2-24 PLATED
8043-28	NUT HEX BR 1/2-20
8043-47	SCREW PHL 10-32X1 LG
8043-506	NUT ACR SS 8-32
8201-5	NUT HEX 10-24
82148	WASHER LOCK INT 1/2 ID SS
8541-48 A	FITTING 90 EL BR1/4NPTX7/16-20
8541-93	FITTING INLET
8543-23	NUT TNR ZI #8
8543-52	SCREW PHL SS 8X3/8
8543-69	BUSHING SHORTY HEYCO
8543-73	SCREW PAN SLT SS 4-40 X 1
8543-74	NUT HEX 4-40
8543-80	CLIP MTG
8551-100B	WASHER 7/16 EXTERNAL SEMS
8551-35	FITTING INLET T
8551-53	WASHER SS
8706-102	REDUCER ADAPTER
8706-109	STRAIN RELIEF 3/8IN
8707-3	SCREW HEX 10-32X5/16
8710-10	NUT HEX BR 7/16-20 X 1/8
8783-31	NUT HEX BR 1/8-27 STD PIPE
8812-70	WASHER WATER FILL PC-1M
8861-23	SCREW PHL 8X3/8
8881-8	WASHER FLAT .515X.875X.031

BL7750 AIRPOT 7750-7753

PART NUMBER	DESCRIPTION
MISC. MECHANICAL:	
83000	GASKET PACKING 7750
83001	RING 7750
83002	L-TUBE TOP 7750
83003	TUBE GLASS WATER GAUGE 7750
83004	PANEL ASSY SIGHT GAUGE 7750
83005	L-TUBE BOTTOM 7750
83006	LEVER DISPENSING 7750
83008	VALVE ASSY 7750
83009	SEAL JOINT RUBBER 7750
83010	GASKET GLASS LINER 7750
83011	LINER GLASS 7750
83012	BOTTOM SET 7750
83013	COVER VALVE ASSY 7750
83014	LEG BLACK 7750
83015	COVER BOTTOM BLACK 7750
83016	HANDLE 7750
ACCESSORIES:	
3746	LID SOLID AIRPOT BLACK
3747	LID BREW THRU BLK 7775
3748	LID BREW THRU ORG DECAF 7775

BL7775 AIRPOT 7775-7776SGD

PART NUMBER	DESCRIPTION
MISC. MECHANICAL:	
7775-1	GASKET PACKING AIRPOT
7775-10	VALVE ASSY AIRPOT
7775-11	SEAL RUBBER AIRPOT
7775-15	GASKET GLASS LINER AIRPOT
7775-18	BOTTOM AIRPOT
7775-19	LEG BASE AIRPOT
7775-2	LINER GLASS AIRPOT
7775-21	COVER VALVE ASSY AIRPOT
7775-22	PLATE BOTTOM AIRPOT
7775-3	RING AIRPOT
7775-4	TUBE 'L' AIRPOT TOP
7775-5	TUBE SIGHT GLASS AIRPOT
7775-6	PANEL SIGHT GLASS AIRPOT
7775-7	LEVER DISPENSING AIRPOT
7775-8	TUBE 'L' AIRPOT BOTTOM
7775-9	PIPE JOINT AIRPOT
ACCESSORIES:	
3746	LID SOLID AIRPOT BLACK
3747	LID BREW THRU BLK 7775
3748	LID BREW THRU ORG DECAF 7775

BL7754 AIRPOT 7754/7756 2/5L

PART NUMBER	DESCRIPTION
MISC. MECHANICAL:	
3785	DECAF STOPPER SET
84985	STOPPER SET
84986	HANDLE
84987	BODY SET
84988	VALVE ASSY
84989	GLASS TUBE COVER
84990	LEVER SET
84991	LEG
84992	BOTTOM
84993	LINER HOLDER
84995	VALVE COVER
84996	SHOULDER CONNECTION TUBE
84997	GLASS TUBE COVER A
84998	GLASS TUBE
84999	GLASS TUBE COVER B
85000	BOTTOM CONNECTION
85001	JOINT PIPE
85002	LEG COVER
85003	VALVE COVER SCREW
85006	FEET 7756
HARDWARE:	
84994	JOINT SEAL RUBBER
ACCESSORIES:	
85004	CLEANING BRUSH SIGHT GLASS
85005	CLEANING BRUSH GLASS LINER

BL7780 AIRPOT 7780 3.0L

PART NUMBER	DESCRIPTION
MISC. MECHANICAL:	
84949	LINER GASKET
84951	TOP ASSY
84952	STEM STOPPER
84955	TOP GASKET
84957	GLASS LINER

BL7865 AIRPOT 7768 2.2L

PART NUMBER	DESCRIPTION
MISC. MECHANICAL:	
84947	TOP GASKET BTL
84948	STEM STOPPER BTL
84975	TOP ASSY BTL BLACK
84976	BELLOWS SET
84977	GLASS LINER

BL7867 AIRPOT 7867 2.L

PART NUMBER	DESCRIPTION
MISC. MECHANICAL:	
84945	TOP ASSY ORANGE LEVER
84946	TOP ASSY BLACK LEVER
84947	TOP GASKET BTL
84948	STEM STOPPER BTL
84949	LINER GASKET
84950	GLASS LINER

BL7759 AIRPOT 7759

PART NUMBER	DESCRIPTION
MISC. MECHANICAL:	
83440	LID ASSY
83441	GASKET LID RUBBER
83442	STOPPER ASSY 2.2 LTR
83445	PIPE END RUBBER
83446	HANDLE CARRY
83447	GASKET RUBBER GLASS REFILL
83448	GLASS REFILL 2.2 LTR
83449	PROTECTOR PLASTIC GLASS REFILL

BL7880 AIRPOT 7887 3.0L

PART NUMBER	DESCRIPTION
MISC. MECHANICAL:	
84947	TOP GASKET BTL
84949	LINER GASKET
84954	TOP ASSY
84955	TOP GASKET
84956	STEM STOPPER BTL
84957	GLASS LINER

BL8881 AIRPOT 8881

PART NUMBER	DESCRIPTION
MISC. MECHANICAL:	
82564	LID TOP 8881
82566	PIN LEVER 8881
82567	SPRING HINGE 8881
82568	PIN HINGE 8881
82569	BELLOW UNIT 8881
8881-10	SEAL AIRPOT PUMP TOP O/S
8881-11	GROMMET AIRPOT STEM O/S
8881-12	LABEL ORANGE DECAF LABEL
8881-2	AIRPOT LINER
8881-3	GASKET AIRPOT LINER
8881-4	PUMP & GASKET AIRPOT O/S
8881-5	SEAL AIRPOT COVER CENTER O/S
8881-6	SEAL AIRPORT COVER SIDE O/S
8882-1	AIRPOT LID BOTTOM SEAL
8882-10	AIRPOT PUMP PACKING LOWER
8882-11	AIRPOT LINER GLASS 8883 MODEL
8882-12	AIRPOT LINER PACKING
8882-2	AIRPOT PUMP STOPPER TOP
8882-3	AIRPOT PUMP UNIT ASSEM
8882-4	AIRPOT PUMP STOPPER BTM
8882-5	AIRPOT POURING PIPE 8883 ONLY
8882-6	AIRPOT GASKET LINER TOP
8882-7	AIRPOT INDICATOR PLATE
8882-8	AIRPOT WATER PIPE UNIT
8882-9	AIRPOT PUMP PACKING UPPER
HARDWARE:	
8881-8	WASHER FLAT .515X.875X.031
8882-13	AIRPOT BOTTOM PIPE
8882-15	AIRPOT WASHER UPPER

BL8884 AIRPOT 8884

PART NUMBER	DESCRIPTION
MISC. MECHANICAL:	
83155	LID COMPLETE 8884 NS
83156	* BELLOW 8884
83157	SPRING LEVER 8884
83158	PLATE PUSH TOP 8884
83160	KIT LID & PUMP ASSY 8884
83161	HINGE 8884
83162	GASKET LID 8884
83350	GASKET AIR PUMP UPPER SMALL
83351	GASKET AIR PUMP LOWER LARGE
HARDWARE:	
83159	PIN HINGE 8884

BL1080 EBC BREWER 1080/1086

PART NUMBER	DESCRIPTION
ELEMENTS:	
8716-1	ELEM 240V 3500W
8780-18	ELEM 120V 1800W TANK HTG
CONTROLS (THERMOSTATS & INFINITE SWITCHES):	
1080-225	BOARD POWER THERMAL BREWER N/S
1080-226	BOARD CONTROL THERM DECANT BRW
8043-83	THERMO HI LIMIT
MISC. MECHANICAL:	
SA 9052	STRAINER
1012-10	KEYPAD INTEG 3 STATION
1080-30	PROBE TEMP 5 1/2"W/NUT 83644
1080-300	JUMPER 2 PIN (TIMER EXTENDER)
1080-40	PLATE DIAL
35-210	STRAIN RELIEF LQ TIGHT
8033-55	LEG LEVELER PLATED
8033-56	CAP LEVELER
8043-10	TANK BODY
8043-11	ELBOW OUTLET
8043-12	GASKET COVER TANK
8043-13	ELBOW SPRAYER
8043-15	TUBE VENT
8043-24	TUBE INLET WATER
8043-26	TUBE OUTLET WATER 4 3/4 LG
8043-5	STRAP HOLD DOWN
8043-8	ELBOW INLET
81732	LEG ASSY LEVELING
82556	FAUCET ASSY PRESSURE N/S
83147	WASHER GYLON 1/2 ID 3/4 OD
83148	WASHER GYLON 7/16 ID 3/4 OD
83329	VALVE SOL .5 GPM FLOW DISK
8514-26	VALVE NEEDLE SEAT
8514-68	COVER TANK
8540-3	TUBE OUTLET ASSY 10 7/16 LG
8540-30	ELBOW POLYPROPYLENE
8540-4	TUBE FORMED INLET
8540-6	COIL ASSY HOT WATER
8541-21	PAN BASIN
8541-46	HOSE INLET WATER 13IN
8541-48 A	FITTING 90 EL BR1/4NPTX7/16-20
8542-6	BASIN COVER ASSY
8543-42	HEAD GASKET SPRAY
8543-44	DISC SPRAYER
8543-46	COVER HINGE
8543-49	HINGE COVER WIRE
8543-69	BUSHING SHORTY HEYCO
8551-30	CONNECTOR BRASS
8551-35	FITTING INLET T
8572-20	INLET TUBE ASSY
8572-26	VALVE NEEDLE ASSY
8572-34	DOOR ACCESS SOLENOID
8706-102	REDUCER ADAPTER
8706-75	BUTTON PLUG 2IN
8779-L	LEG ALUM BLK ANOD. CAN BREWERS
8861-18	BUMPERS RUBBER BLACK
8941-20	FITTING ADAPTER
8942-6	CHAMBER BREW BROWN
8942-6B	CHAMBER BREW BLACK
HARDWARE:	
1080-31	GROMMET PROBE
7506-30	SCREW 8-32X3/8 TAPG
8043-28	NUT HEX BR 1/2-20
8043-47	SCREW PHL 10-32X1 LG
8043-506	NUT ACR SS 8-32
8543-23	NUT TNR ZI #8
8543-52	SCREW PHL SS 8X3/8
8543-73	SCREW PAN SLT SS 4-40 X 1
8543-74	NUT HEX 4-40
8710-10	NUT HEX BR 7/16-20 X 1/8
8861-23	SCREW PHL 8X3/8
8881-8	WASHER FLAT .515X.875X.031
8941-21	NUT BR 7/16-20

BL1012 EBC BREWER 1012/1016

BL1012 EBC BREWER 1012/1016 cont'd.

PART NUMBER	DESCRIPTION
ELEMENTS:	
8043-14	ELEM 120V 1500W
8572-18	ELEM 120V 100W
8716-1	ELEM 240V 3500W
CONTROLS (THERMOSTATS & INFINITE SWITCHES):	
1072-225	BOARD POWER DECANTER BREWER NS
1080-226	BOARD CONTROL THERM DECANT BRW
8043-83	THERMO HI LIMIT
MISC. ELECTRICAL:	
1080-35	KIT CONV OLD PROBE TO NEW CNTL
1080-36	KIT CONV NEW PROBE TO OLD CNTL
MISC. MECHANICAL:	
SA 9052	STRAINER
1012-10	KEYPAD INTEG 3 STATION
1080-30	PROBE TEMP 5 1/2"W/NUT 83644
1080-40	PLATE DIAL
35-210	STRAIN RELIEF LQ TIGHT
8033-55	LEG LEVELER PLATED
8033-56	CAP LEVELER
8043-10	TANK BODY
8043-11	ELBOW OUTLET
8043-12	GASKET COVER TANK
8043-13	ELBOW SPRAYER
8043-15	TUBE VENT
8043-24	TUBE INLET WATER
8043-26	TUBE OUTLET WATER 4 3/4 LG
8043-5	STRAP HOLD DOWN
8043-8	ELBOW INLET
81732	LEG ASSY LEVELING
82556	FAUCET ASSY PRESSURE N/S
83147	WASHER GYLON 1/2 ID 3/4 OD
83148	WASHER GYLON 7/16 ID 3/4 OD
83329	VALVE SOL .5 GPM FLOW DISK
8514-26	VALVE NEEDLE SEAT
8514-68	COVER TANK
8540-3	TUBE OUTLET ASSY 10 7/16 LG
8540-30	ELBOW POLYPROPELYNE
8540-4	TUBE FORMED INLET
8540-6	COIL ASSY HOT WATER
8541-21	PAN BASIN
8541-46	HOSE INLET WATER 13IN
8541-48 A	FITTING 90 EL BR1/4NPTX7/16-20
8543-42	HEAD GASKET SPRAY
8543-44	DISC SPRAYER
8543-46	COVER HINGE
8543-49	HINGE COVER WIRE
8543-69	BUSHING SHORTY HEYCO
8551-35	FITTING INLET T
8572-26	VALVE NEEDLE ASSY
8572-34	DOOR ACCESS SOLENOID
8700-16	PLATE COVER WARMER BLACK
8706-102	REDUCER ADAPTER
8707-6	CHAMBER BREW
8812-57	FITTING UNION 1/4 X 1/4
8941-20	FITTING ADAPTER
8941-21	NUT BR 7/16-20
9012-10	BASIN COVER ASSY 9000 SERIES
9012-11	BODY & BASE ASSY 9012/13 SER
9012-13	HOSE ASSY BRAIDED
9012-23	PLATE BOT SUB ASSY
9012-28	SPLASHGUARD ASSY
9012-6	PANEL LOWER FR
9012-7	PANEL UPPER FR
HARDWARE:	
D 20002-3	SCREW PAN PHL SS 10-32 X 5/16
1080-31	GROMMET PROBE
3-100	SCREW RD HD 6-32 X1/4
7200-6X	SCREW PAN SLT ZI 8-32 X 3/8
7506-30	SCREW 8-32X3/8 TAPG
8043-28	NUT HEX BR 1/2-20
8043-47	SCREW PHL 10-32X1 LG
8043-506	NUT ACR SS 8-32
83730	NUT HEX #6-32 X .5 ALUM
8543-23	NUT TNR ZI #8
8543-52	SCREW PHL SS 8X3/8
8543-73	SCREW PAN SLT SS 4-40 X 1

PART NUMBER	DESCRIPTION
HARDWARE CONT'D:	
8543-74	NUT HEX 4-40
8543-80	CLIP MTG
8551-100B	WASHER 7/16 EXTERNAL SEMS
8700-196	HOLDER CABLE
8710-10	NUT HEX BR 7/16-20 X 1/8
8861-16	NUT 6-32
8881-8	WASHER FLAT .515X.875X.031

BL1016 EBC MCDS 1016BVM

PART NUMBER	DESCRIPTION
ELEMENTS:	
8572-18	ELEM 120V 100W
8716-1	ELEM 240V 3500W
CONTROLS (THERMOSTATS & INFINITE SWITCHES):	
8552-50	THERMO HI LIMIT RESET 240V
HARDWARE FOR ELEMENTS AND THERMOSTATS:	
83637	FACEPLATE CONTROL BOARD
MISC. ELECTRICAL:	
83163	FUSE HOLDER
83164	FUSE 10 AMP
83633	OVERLAY DECAL KEYPAD
83635	BOARD CONTROL
83636	BOARD POWER
83642	WIRES CUT & HARNESSSED
83644	PROBE TEMP 5 1/2"W/NUT 1080-30
83728	WIRE HARNESS POWER BD-CONTROL
8552-18	TERM BLOCK
8700-196	HOLDER CABLE
8718-5	CORD & CAP ASSY
MISC. MECHANICAL:	
SA 9052	STRAINER
500872	LABEL HOT SURFACE IEC STD 417
8043-11	ELBOW OUTLET
8043-12	GASKET COVER TANK
8043-13	ELBOW SPRAYER
8043-5	STRAP HOLD DOWN
8043-8	ELBOW INLET
81732	LEG ASSY LEVELING
82224	VALVE SOLENOID 120V .15 GPM
82390	GROMMET .375 ID TRANSLUCENT
82556	FAUCET ASSY PRESSURE N/S
82727	DISC SPRAY HEAD EMBOSSED
83034	TUBE FILL 90 DEG. BEND 13"
83146	STRAINER ASSY W/QUICK DISCONN
83623	BRACKET POWER BD MOUNT
83625	COVER ASSY UPPER HOUSING
83630	WELDMENT LOWER HOUSING & BASE
83631	BRACKET TIMER & SOLENOID
83632	PLATE BASE
83634	TANK ASSEMBLY
83640	TANK COVER WELDED ASSY
83729	TUBE SILICONE 15" .312 ID
83732	TUBE ASSY INLET
83733	TUBE ASSY FAUCET
83734	TUBE WATER OUTLET
83735	WELDMENT UPPER HOUSING
83910	STRAINER ASSY MCD
8514-88	COUPLING FLARE SWIVEL CONN
8540-6	COIL ASSY HOT WATER
8541-201	LABEL CAUTION HOT DECANTER
8543-42	HEAD GASKET SPRAY
8572-20	INLET TUBE ASSY
8572-26	VALVE NEEDLE ASSY
8572-34	DOOR ACCESS SOLENOID
8700-16	PLATE COVER WARMER BLACK
8706-20	TUBE VENT LONG
8706-75	BUTTON PLUG 2IN
8706-76	PLUG BOTTON 1 1/8IN
8706-97	FITTING UNION TEE
8707-2	HANDLE BLACK
8707-4	SUPPORT FRAME FILTER
8707-5	CHAMBER BREW
8707-6	CHAMBER BREW
8752-1	FORMED TUBE ASSY
8781-32	ELBOW 1/8MPT X1/4FL
9012-6	PANEL LOWER FR
9012-7	PANEL UPPER FR
9102-8	ELBOW 1/4 FPT/HOSE
HARDWARE:	
63201	SPACER 3/8DX5/16
7506-30	SCREW 8-32X3/8 TAPG
8043-28	NUT HEX BR 1/2-20
8043-47	SCREW PHL 10-32X1 LG
8043-506	NUT ACR SS 8-32
82241	FITTING HOSE CONNECT STRAIGHT
82680	NUT HEX JAM 7/16-20 NI PLTD

BL1016 EBC MCDS 1016BVM

PART NUMBER	DESCRIPTION
HARDWARE CONT'D:	
82681	WASHER FLT 15/32X1 1/8 X062 SS
83147	WASHER GYLON 1/2 ID 3/4 OD
83148	WASHER GYLON 7/16 ID 3/4 OD
83730	NUT HEX #6-32 X .5 ALUM
83731	SEAL TEMP PROBE
8543-23	NUT TNR ZI #8
8543-52	SCREW PHL SS 8X3/8
8543-80	CLIP MTG
8551-100B	WASHER 7/16 EXTERNAL SEMS
8706-65	SCREW PAN SLT SS 6-32 X 7/8
8707-3	SCREW HEX 10-32X5/16
8710-10	NUT HEX BR 7/16-20 X 1/8
8812-57	FITTING UNION 1/4 X 1/4
8941-21	NUT BR 7/16-20
8942-92	NUT KEP 8-32 SS

BL1040 EBC BREWER 1040**BL1040 EBC BREWER 1040 cont'd.**

PART NUMBER	DESCRIPTION
ELEMENTS:	
8043-14	ELEM 120V 1500W
8572-18	ELEM 120V 100W
CONTROLS (THERMOSTATS & INFINITE SWITCHES):	
1072-225	BOARD POWER DECANter BREWER NS
1080-226	BOARD CONTROL THERM DECANter BRW
8043-83	THERMO HI LIMIT
MISC. ELECTRICAL:	
1040-10	KEYPAD KOFFEE KING 2 STATION
1080-30	PROBE TEMP 5 1/2"W/NUT 83644
1080-35	KIT CONV OLD PROBE TO NEW CNTL
1080-36	KIT CONV NEW PROBE TO OLD CNTL
83642	WIRES CUT & HARNESSSED
83644	PROBE TEMP 5 1/2"W/NUT 1080-30
83728	WIRE HARNESS POWER BD-CONTROL
MISC. MECHANICAL:	
SA 9052	STRAINER
1080-31	GROMMET PROBE
1080-40	PLATE DIAL
8033-55	LEG LEVELER PLATED
8033-56	CAP LEVELER
8043-10	TANK BODY
8043-11	ELBOW OUTLET
8043-12	GASKET COVER TANK
8043-13	ELBOW SPRAYER
8043-15	TUBE VENT
8043-24	TUBE INLET WATER
8043-26	TUBE OUTLET WATER 4 3/4 LG
8043-5	STRAP HOLD DOWN
8043-8	ELBOW INLET
81732	LEG ASSY LEVELING
82556	FAUCET ASSY PRESSURE N/S
83034	TUBE FILL 90 DEG. BEND 13"
83329	VALVE SOL .5 GPM FLOW DISK
83634	TANK ASSEMBLY
83637	FACEPLATE CONTROL BOARD
83640	TANK COVER WELDED ASSY
83729	TUBE SILICONE 15" .312 ID
83734	TUBE WATER OUTLET
8512-56	BASIN COVER ASSY 8540 SERIES
8514-26	VALVE NEEDLE SEAT
8540-25	BODY & BASE ASSY 2W/A 120V
8540-3	TUBE OUTLET ASSY 10 7/16 LG
8540-30	ELBOW POLYPROPELYNE
8540-4	TUBE FORMED INLET
8540-6	COIL ASSY HOT WATER
8541-155	PANEL FR 8540
8541-21	PAN BASIN
8541-46	HOSE INLET WATER 13IN
8541-48 A	FITTING 90 EL BR1/4NPTX7/16-20
8543-42	HEAD GASKET SPRAY
8543-44	DISC SPRAYER
8543-45	RETAINER HEAD SPRAY
8543-46	COVER HINGE
8543-49	HINGE COVER WIRE
8543-69	BUSHING SHORTY HEYCO
8551-35	FITTING INLET T
8572-20	INLET TUBE ASSY
8572-26	VALVE NEEDLE ASSY
8572-34	DOOR ACCESS SOLENOID
8700-16	PLATE COVER WARMER BLACK
8706-102	REDUCER ADAPTER
8706-75	BUTTON PLUG 2IN
8706-76	PLUG BUTTON 1 1/8IN
8718-61	PLATE BOT
8941-20	FITTING ADAPTER
8942-6	CHAMBER BREW BROWN
8942-6B	CHAMBER BREW BLACK
HARDWARE:	
35-210	STRAIN RELIEF LQ TIGHT
7506-30	SCREW 8-32X3/8 TAPG
8043-28	NUT HEX BR 1/2-20
8043-47	SCREW PHL 10-32X1 LG
8043-506	NUT ACR SS 8-32
8201-5	NUT HEX 10-24
83147	WASHER GYLON 1/2 ID 3/4 OD

PART NUMBER	DESCRIPTION
HARDWARE CONT'D:	
83148	WASHER GYLON 7/16 ID 3/4 OD
8543-23	NUT TNR ZI #8
8543-52	SCREW PHL SS 8X3/8
8543-73	SCREW PAN SLT SS 4-40 X 1
8543-74	NUT HEX 4-40
8543-80	CLIP MTG
8710-10	NUT HEX BR 7/16-20 X 1/8
8861-23	SCREW PHL 8X3/8
8881-8	WASHER FLAT .515X.875X.031
8941-21	NUT BR 7/16-20

BL1072 EBC BREWER 1072/1074

PART NUMBER	DESCRIPTION
ELEMENTS:	
8043-14	ELEM 120V 1500W
8572-18	ELEM 120V 100W
8716-1	ELEM 240V 3500W
CONTROLS (THERMOSTATS & INFINITE SWITCHES):	
1072-225	BOARD POWER DECANter BREWER NS
1080-226	BOARD CONTROL THERM DECANT BRW
8043-83	THERMO HI LIMIT
MISC. ELECTRICAL:	
1080-35	KIT CONV OLD PROBE TO NEW CNTL
1080-36	KIT CONV NEW PROBE TO OLD CNTL
MISC. MECHANICAL:	
SA 9052	STRAINER
1072-10	KEYPAD KOFFEE KING 3 STATION
1080-30	PROBE TEMP 5 1/2"W/NUT 83644
1080-40	PLATE DIAL
35-210	STRAIN RELIEF LQ TIGHT
8033-55	LEG LEVELER PLATED
8033-56	CAP LEVELER
8033-60	BUTTON PLUG 3/8 DIA
8043-10	TANK BODY
8043-11	ELBOW OUTLET
8043-12	GASKET COVER TANK
8043-13	ELBOW SPRAYER
8043-15	TUBE VENT
8043-24	TUBE INLET WATER
8043-26	TUBE OUTLET WATER 4 3/4 LG
8043-5	STRAP HOLD DOWN
8043-8	ELBOW INLET
81732	LEG ASSY LEVELING
82556	FAUCET ASSY PRESSURE N/S
83147	WASHER GYLON 1/2 ID 3/4 OD
83148	WASHER GYLON 7/16 ID 3/4 OD
83329	VALVE SOL .5 GPM FLOW DISK
8514-26	VALVE NEEDLE SEAT
8514-68	COVER TANK
8540-3	TUBE OUTLET ASSY 10 7/16 LG
8540-30	ELBOW POLYPROPELYNE
8540-4	TUBE FORMED INLET
8540-6	COIL ASSY HOT WATER
8541-21	PAN BASIN
8541-46	HOSE INLET WATER 13IN
8541-48 A	FITTING 90 EL BR1/4NPTX7/16-20
8542-6	BASIN COVER ASSY
8543-42	HEAD GASKET SPRAY
8543-44	DISC SPRAYER
8543-45	RETAINER HEAD SPRAY
8543-46	COVER HINGE
8543-49	HINGE COVER WIRE
8543-69	BUSHING SHORTY HEYCO
8551-35	FITTING INLET T
8572-16	WARM TOP
8572-20	INLET TUBE ASSY
8572-26	VALVE NEEDLE ASSY
8572-34	DOOR ACCESS SOLENOID
8700-16	PLATE COVER WARMER BLACK
8706-102	REDUCER ADAPTER
8706-75	BUTTON PLUG 2IN
8706-76	PLUG BOTTON 1 1/8IN
8941-20	FITTING ADAPTER
8942-6	CHAMBER BREW BROWN
8942-6B	CHAMBER BREW BLACK
HARDWARE:	
1080-31	GROMMET PROBE
3-100	SCREW RD HD 6-32 X1/4
7506-30	SCREW 8-32X3/8 TAPG
8043-28	NUT HEX BR 1/2-20
8043-47	SCREW PHL 10-32X1 LG
8043-506	NUT ACR SS 8-32
8201-5	NUT HEX 10-24
82680	NUT HEX JAM 7/16-20 NI PLTD
82681	WASHER FLT 15/32X1 1/8 X062 SS
8543-23	NUT TNR ZI #8
8543-52	SCREW PHL SS 8X3/8
8543-73	SCREW PAN SLT SS 4-40 X 1
8543-74	NUT HEX 4-40

BL1072 EBC BREWER 1072/1074 cont'd.

PART NUMBER	DESCRIPTION
HARDWARE CONT'D:	
8543-80	CLIP MTG
8551-100B	WASHER 7/16 EXTERNAL SEMS
8710-10	NUT HEX BR 7/16-20 X 1/8
8861-23	SCREW PHL 8X3/8
8881-8	WASHER FLAT .515X.875X.031
8941-21	NUT BR 7/16-20

BL8516 BREWER 8516

BL8516 BREWER 8516 cont'd.

PART NUMBER	DESCRIPTION
ELEMENTS:	
8572-18	ELEM 120V 100W
8716-1	ELEM 240V 3500W
CONTROLS (THERMOSTATS & INFINITE SWITCHES):	
8512-51	THERMO
8552-50	THERMO HI LIMIT RESET 240V
HARDWARE FOR ELEMENTS AND THERMOSTATS:	
8512-41	WASHER SEAL THERMO 5/16 OD
SWITCHES (ROCKER & TOGGLE):	
6710-23	SWITCH ON OFF 120V BLACK
8516-25	SWITCH LIGHTED 20A
8707-55	BREW SWITCH ROCKER
MISC. ELECTRICAL:	
8718-1	TIMER W/KNOB 2MIN 120V
8738-2	LIGHT PILOT GREEN 250V
MISC. MECHANICAL:	
8033-55	LEG LEVELER PLATED
8033-56	CAP LEVELER
8033-60	BUTTON PLUG 3/8 DIA
8043-10	TANK BODY
8043-11	ELBOW OUTLET
8043-12	GASKET COVER TANK
8043-13	ELBOW SPRAYER
8043-15	TUBE VENT
8043-24	TUBE INLET WATER
8043-26	TUBE OUTLET WATER 4 3/4 LG
8043-30	GASKET ELEM HTG
8043-5	STRAP HOLD DOWN
8043-8	ELBOW INLET
82556	FAUCET ASSY PRESSURE N/S
8514-26	VALVE NEEDLE SEAT
8514-68	COVER TANK
8516-100	PANEL FR #1
8516-101	PANEL FR #2
8516-102	ELBOW 3/8M X 3/8F ST
8516-116	PLATE BOT ASSY 8516
8516-122	BASIN SUB ASSY 8516
8516-130	TUBE ASSY TO FAUCET
8516-133	COVER ACCESS WIRING
8516-134	COVER ACCESS SOL
8516-135	COVER BOTTOM
8516-136	INLET TUBE ASSY NV
8516-142	TUBE INLET HOSE 17 1/4IN SI
8516-148	LABEL WARMER
8516-22	LABEL WARMER BASIN FR RIGHT
8518-13	LABEL BASIN FR LEFT 8516
8540-4	TUBE FORMED INLET
8540-6	COIL ASSY HOT WATER
8541-120	VALVE SOL
8541-120CS	COIL SOL 120V
8541-120F	VALVE FLO CONTROL
8541-120JS	KIT SOL REPAIR
8541-120K	REPAIR KIT SOL VALVE
8541-120KS	KIT SOL REBUILD
8541-21	PAN BASIN
8543-42	HEAD GASKET SPRAY
8543-44	DISC SPRAYER
8543-46	COVER HINGE
8543-49	HINGE COVER WIRE
8551-275	KIT FAUCET REPAIR O/S H&H
8551-275 A	DISC
8551-275 B	STRAIGHTENER STREAM
8551-35	FITTING INLET T
8552-18	TERM BLOCK
8552-180	TANK COVER SUB ASSY AUTO
8700-16	PLATE COVER WARMER BLACK
8705-36	PLUG BUTTON 7/8IN
8706-102	REDUCER ADAPTER
8706-169B	HANDLE FAUCET RED
8706-75	BUTTON PLUG 2IN
8707-2	HANDLE BLACK
8707-4	SUPPORT FRAME FILTER
8707-5	CHAMBER BREW
8707-6	CHAMBER BREW
8716-300	TANK COVER SUB ASSY AUTO

PART NUMBER	DESCRIPTION
MISC. MECHANICAL CONT'D:	
8717-300	TANK COVER ASSY A/F 240 3500W
8873-12	ELBOW MALE
8942-33	GASKET
HARDWARE:	
D 20002-3	SCREW PAN PHL SS 10-32 X 5/16
3-100	SCREW RD HD 6-32 X1/4
616-5	SCREW 6-32X3/4
7200-6X	SCREW PAN SLT ZI 8-32 X 3/8
7506-30	SCREW 8-32X3/8 TAPG
8043-28	NUT HEX BR 1/2-20
8043-47	SCREW PHL 10-32X1 LG
8043-506	NUT ACR SS 8-32
8541-120WS	WRENCH SERVICE
8541-48 A	FITTING 90 EL BR1/4NPTX7/16-20
8541-93	FITTING INLET
8543-23	NUT TNR ZI #8
8543-52	SCREW PHL SS 8X3/8
8543-69	BUSHING SHORTY HEYCO
8543-73	SCREW PAN SLT SS 4-40 X 1
8543-74	NUT HEX 4-40
8543-80	CLIP MTG
8551-100A	SEAL NEOPRENE .125X.625X1
8551-100B	WASHER 7/16 EXTERNAL SEMS
8551-100C	NUT HEX BR 7/16-20 LOW PROF
8551-200 A	O-RING 1/4IN OD
8551-200 B	O-RING 5/16IN OD
8551-200 C	O-RING 3/8IN OD
8551-200 E	TOOL ADAPTOR
8551-30	CONNECTOR BRASS
8551-53	WASHER SS
8707-3	SCREW HEX 10-32X5/16
8710-10	NUT HEX BR 7/16-20 X 1/8
8718-48	BRKT HI LIMIT
8861-16	NUT 6-32
8881-8	WASHER FLAT .515X.875X.031
8941-20	FITTING ADAPTER
8941-21	NUT BR 7/16-20
ACCESSORIES:	
8544	KIT EXTENSION LEG 4

BL8572 BREWER 8512-8574

PART NUMBER	DESCRIPTION
ELEMENTS:	
8043-14	ELEM 120V 1500W
8572-18	ELEM 120V 100W
8716-1	ELEM 240V 3500W
CONTROLS (THERMOSTATS & INFINITE SWITCHES):	
8043-83	THERMO HI LIMIT
8512-51	THERMO
8552-50	THERMO HI LIMIT RESET 240V
SWITCHES (ROCKER & TOGGLE):	
6710-23	SWITCH ON OFF 120V BLACK
8572-24	SWITCH START BREW
8707-55	BREW SWITCH ROCKER
MISC. ELECTRICAL:	
6407-15	CORD & CAP ASSY 4WLS
84291	VALVE DUAL PLASTIC F/MODELS
84455	SOLENOID ASSY 120V
84569	SOLENOID ASSY 240V SINGLE
84570	SOLENOID ASSY 240V BYPASS
8541-120	VALVE SOL
8552-18	TERM BLOCK
8718-1	TIMER W/KNOB 2MIN 120V
8718-31	LIGHT PILOT GREEN 125V
MISC. MECHANICAL:	
8043-10	TANK BODY
8043-11	ELBOW OUTLET
8043-12	GASKET COVER TANK
8043-13	ELBOW SPRAYER
8043-15	TUBE VENT
8043-24	TUBE INLET WATER
8043-26	TUBE OUTLET WATER 4 3/4 LG
8043-5	STRAP HOLD DOWN
8043-8	ELBOW INLET
82556	FAUCET ASSY PRESSURE N/S
84073	FITTING 1/4MF X 3/8 BARB
84412	DOOR ACCESS SOLENOID
84413	BRACKET SOLENOID MOUNTING
84458	HOSE W/SS WIRE BRAID COVER
84461	HOSE ASSY
8512-41	WASHER SEAL THERMO 5/16 OD
8512-45	COVER TANK
8512-56	BASIN COVER ASSY 8540 SERIES
8514-26	VALVE NEEDLE SEAT
8514-68	COVER TANK
85218	PLASTIC SOLENOID VALVE KIT
85219	SCREEN STRAINER VALVE
8540-3	TUBE OUTLET ASSY 10 7/16 LG
8540-30	ELBOW POLYPROPELYNE
8540-4	TUBE FORMED INLET
8540-6	COIL ASSY HOT WATER
8541-120CS	COIL SOL 120V
8541-120F	VALVE FLO CONTROL
8541-120JS	KIT SOL REPAIR
8541-120KS	KIT SOL REBUILD
8541-120R	RETAINER RING
8541-120WS	WRENCH SERVICE
8541-155	PANEL FR 8540
8541-160	LABEL BASIN FR BLACK
8541-21	PAN BASIN
8541-46	HOSE INLET WATER 13IN
8541-48 A	FITTING 90 EL BR1/4NPTX7/16-20
8541-93	FITTING INLET
8542-6	BASIN COVER ASSY
8543-29	PAN BASIN
8543-42	HEAD GASKET SPRAY
8543-45	RETAINER HEAD SPRAY
8543-46	COVER HINGE
8543-48	PANEL FR
8543-49	HINGE COVER WIRE
8543-69	BUSHING SHORTY HEYCO
8551-100A	SEAL NEOPRENE .125X.625X1
8551-275 A	DISC
8551-275 B	STRAIGHTENER STREAM
8551-275-S	KIT SPOUT REPLACEMENT
8551-30	CONNECTOR BRASS
8551-35	FITTING INLET T
8571-3	PANEL FR

BL8572 BREWER 8512-8574 cont'd.

PART NUMBER	DESCRIPTION
MISC. MECHANICAL CONT'D:	
8572-10	PANEL FR
8572-13	* BASIN BODY ASSY KK
8572-20	INLET TUBE ASSY
8572-33	BODY & BASE ASSY 3W/A(F) 120V
8572-34	DOOR ACCESS SOLENOID
8572-51	* TOP BACK
8572-66	PLATE BOT SUB ASSY
8574-10	COVER BACK ELECT
8700-16	PLATE COVER WARMER BLACK
8706-102	REDUCER ADAPTER
8706-169B	HANDLE FAUCET RED
8706-75	BUTTON PLUG 2IN
8718-48	BRKT HI LIMIT
8718-61	PLATE BOT
8810-12	PLUG BUTTON DOT 1/2DIA
8941-20	FITTING ADAPTER
HARDWARE:	
3-100	SCREW RD HD 6-32 X1/4
35-210	STRAIN RELIEF LQ TIGHT
7506-30	SCREW 8-32X3/8 TAPG
8033-55	LEG LEVELER PLATED
8033-56	CAP LEVELER
8043-28	NUT HEX BR 1/2-20
8043-30	GASKET ELEM HTG
8043-47	SCREW PHL 10-32X1 LG
8043-506	NUT ACR SS 8-32
84459	CLAMP STEPLESS EAR
8541-122	SCREW PAN PHL SS 10-32X1/2
8543-23	NUT TNR ZI #8
8543-52	SCREW PHL SS 8X3/8
8543-73	SCREW PAN SLT SS 4-40 X 1
8543-74	NUT HEX 4-40
8543-80	CLIP MTG
8551-100B	WASHER 7/16 EXTERNAL SEMS
8551-100C	NUT HEX BR 7/16-20 LOW PROF
8551-200 A	O-RING 1/4IN OD
8551-200 B	O-RING 5/16IN OD
8551-200 C	O-RING 3/8IN OD
8551-200 E	TOOL ADAPTOR
8710-10	NUT HEX BR 7/16-20 X 1/8
8861-23	SCREW PHL 8X3/8
8941-21	NUT BR 7/16-20
ACCESSORIES:	
84571	RETRO-KIT SOLENOID 120V SINGLE
84572	RETRO-KIT SOLENOID 120V BYPASS
84574	RETRO-KIT SOLENOID 240V SINGLE
84575	RETRO-KIT SOLENOID 240V BYPASS
84804	KIT STREAM FORMER PRESS FAUCET
8542-110	LABEL BASIN FR BLACK 8542
8543-160	LABEL BASIN FR
8551-200	REPAIR KIT FAUCET
8551-275	KIT FAUCET REPAIR O/S H&H
8571-20	LABEL BASIN FR BLACK
8572-110	LABEL BASIN FR BLK
8942-6	CHAMBER BREW BROWN
8942-6B	CHAMBER BREW BLACK

BL8718 BREWER 8718 MCDS**BL8718 BREWER 8718 MCDS cont'd.**

PART NUMBER	DESCRIPTION
ELEMENTS:	
8572-18	ELEM 120V 100W
8716-1	ELEM 240V 3500W
CONTROLS (THERMOSTATS & INFINITE SWITCHES):	
8512-51	THERMO
8552-50	THERMO HI LIMIT RESET 240V
SWITCHES (ROCKER & TOGGLE):	
8528-40	SWITCH ROCKER 240V
8707-34	SWITCH ON OFF LIT 120V
8707-55	BREW SWITCH ROCKER
MISC. ELECTRICAL:	
8718-1	TIMER W/KNOB 2MIN 120V
8718-5	CORD & CAP ASSY
8738-2	LIGHT PILOT GREEN 250V
MISC. MECHANICAL:	
SA 9052	STRAINER
8033-55	LEG LEVELER PLATED
8033-56	CAP LEVELER
8033-60	BUTTON PLUG 3/8 DIA
8043-10	TANK BODY
8043-11	ELBOW OUTLET
8043-12	GASKET COVER TANK
8043-13	ELBOW SPRAYER
8043-15	TUBE VENT
8043-24	TUBE INLET WATER
8043-26	TUBE OUTLET WATER 4 3/4 LG
8043-30	GASKET ELEM HTG
8043-5	STRAP HOLD DOWN
8043-8	ELBOW INLET
82556	FAUCET ASSY PRESSURE N/S
8514-26	VALVE NEEDLE SEAT
8514-68	COVER TANK
8528-75	BASE SUB ASSY 8718
8539-98	BACK PNL BASIN
8539WF-3	BASIN BODY ASSY INTEG/AIRPOT
8540-3	TUBE OUTLET ASSY 10 7/16 LG
8540-30	ELBOW POLYPROPYLENE
8540-4	TUBE FORMED INLET
8540-6	COIL ASSY HOT WATER
8541-120	VALVE SOL
8541-120CS	COIL SOL 120V
8541-120F	VALVE FLO CONTROL
8541-120JS	KIT SOL REPAIR
8541-120K	REPAIR KIT SOL VALVE
8541-120KS	KIT SOL REBUILD
8541-21	PAN BASIN
8541-46	HOSE INLET WATER 13IN
8543-42	HEAD GASKET SPRAY
8543-44	DISC SPRAYER
8551-275	KIT FAUCET REPAIR O/S H&H
8551-275 A	DISC
8551-275 B	STRAIGHTENER STREAM
8552-18	TERM BLOCK
8572-20	INLET TUBE ASSY
8572-34	DOOR ACCESS SOLENOID
8700-16	PLATE COVER WARMER BLACK
8706-102	REDUCER ADAPTER
8706-109	STRAIN RELIEF 3/8IN
8706-135	ADAPTER FLARE FEMALE
8706-136	STRAINER TUBE ASSY
8706-169B	HANDLE FAUCET RED
8706-210	POLY BRAID HOSE ASSY
8706-75	BUTTON PLUG 2IN
8707-2	HANDLE BLACK
8707-4	SUPPORT FRAME FILTER
8707-6	CHAMBER BREW
8716-300	TANK COVER SUB ASSY AUTO
8718-2	PANEL FR
8718-21	BODY & BODY ASSY 8718
8718-48	BRKT HI LIMIT
8718-61	PLATE BOT
8718-8	BASIN COVER ASSY MCD
8718-9	COVER BASIN PAN

PART NUMBER	DESCRIPTION
HARDWARE:	
D 20002-3	SCREW PAN PHL SS 10-32 X 5/16
18-84	NUT HEX 8-32X1/8
3-100	SCREW RD HD 6-32 X1/4
616-5	SCREW 6-32X3/4
7200-6X	SCREW PAN SLT ZI 8-32 X 3/8
7506-30	SCREW 8-32X3/8 TAPG
8043-28	NUT HEX BR 1/2-20
8043-47	SCREW PHL 10-32X1 LG
8043-506	NUT ACR SS 8-32
8512-41	WASHER SEAL THERMO 5/16 OD
8541-120WS	WRENCH SERVICE
8541-48 A	FITTING 90 EL BR1/4NPTX7/16-20
8543-23	NUT TNR ZI #8
8543-52	SCREW PHL SS 8X3/8
8543-69	BUSHING SHORTY HEYCO
8543-73	SCREW PAN SLT SS 4-40 X 1
8543-74	NUT HEX 4-40
8543-80	CLIP MTG
8551-100A	SEAL NEOPRENE .125X.625X1
8551-100B	WASHER 7/16 EXTERNAL SEMS
8551-100C	NUT HEX BR 7/16-20 LOW PROF
8551-200 B	O-RING 5/16IN OD
8551-200 C	O-RING 3/8IN OD
8551-200 E	TOOL ADAPTOR
8551-30	CONNECTOR BRASS
8551-35	FITTING INLET T
8706-109	STRAIN RELIEF 3/8IN
8706-138	COUPLING 1/4 IN MPT SHUT OFF
8707-3	SCREW HEX 10-32X5/16
8710-10	NUT HEX BR 7/16-20 X 1/8
8861-16	NUT 6-32
8941-21	NUT BR 7/16-20
8942-92	NUT KEP 8-32 SS
ACCESSORIES:	
SA 9052	STRAINER

BL8738 BREWER 8738 MCDS

PART NUMBER	DESCRIPTION
ELEMENTS:	
8533-32	ELEM WARMER 240V 100W/220V 85W
8716-1	ELEM 240V 3500W
CONTROLS (THERMOSTATS & INFINITE SWITCHES):	
8512-51	THERMO
8552-50	THERMO HI LIMIT RESET 240V
SWITCHES (ROCKER & TOGGLE):	
8528-40	SWITCH ROCKER 240V
8707-55	BREW SWITCH ROCKER
8726-4	SWITCH 240V LIGHTED
MISC. ELECTRICAL:	
8738-1	TIMER 2MIN 240V 9012EU 9012KO
8738-2	LIGHT PILOT GREEN 250V
MISC. MECHANICAL:	
8033-60	BUTTON PLUG 3/8 DIA
8043-FS	FOAM SET 8543
8043-10	TANK BODY
8043-11	ELBOW OUTLET
8043-12	GASKET COVER TANK
8043-13	ELBOW SPRAYER
8043-15	TUBE VENT
8043-24	TUBE INLET WATER
8043-26	TUBE OUTLET WATER 4 3/4 LG
8043-30	GASKET ELEM HTG
8043-5	STRAP HOLD DOWN
8043-8	ELBOW INLET
81732	LEG ASSY LEVELING
82486	LABEL CAUTION HOT LIQUID
82556	FAUCET ASSY PRESSURE N/S
8514-68	COVER TANK
8539-98	BACK PNL BASIN
8539WF-3	BASIN BODY ASSY INTEG/AIRPOT
8540-3	TUBE OUTLET ASSY 10 7/16 LG
8540-30	ELBOW POLYPROPYLENE
8540-4	TUBE FORMED INLET
8540-6	COIL ASSY HOT WATER
8541-201	LABEL CAUTION HOT DECANTER
8541-21	PAN BASIN
8541-46	HOSE INLET WATER 13IN
8541-48 A	FITTING 90 EL BR1/4NPTX7/1
8543-42	HEAD GASKET SPRAY
8543-44	DISC SPRAYER
8572-20	INLET TUBE ASSY
8572-26	VALVE NEEDLE ASSY
8572-34	DOOR ACCESS SOLENOID
8700-16	PLATE COVER WARMER BLACK
8706-134	STRAINER ASSY
8706-210	POLY BRAID HOSE ASSY
8706-75	BUTTON PLUG 2IN
8707-129	LABEL WARNING
8707-6	CHAMBER BREW
8718-16	LABEL FR
8718-2	PANEL FR
8718-48	BRKT HI LIMIT
8718-61	PLATE BOT
8718-9	COVER BASIN PAN
8726-1	VALVE SOLENOID 240V
8738-5	BASIN COVER ASSY 240V
8766-C2	INSERT

HARDWARE:

18-84	NUT HEX 8-32X1/8
3-100	SCREW RD HD 6-32 X1/4
7200-6X	SCREW PAN SLT ZI 8-32 X 3/8
7506-30	SCREW 8-32X3/8 TAPG
8043-28	NUT HEX BR 1/2-20
8043-47	SCREW PHL 10-32X1 LG
8043-506	NUT ACR SS 8-32
8201-5	NUT HEX 10-24
82680	NUT HEX JAM 7/16-20 NI PLTD
82681	WASHER FLT 15/32X1 1/8 X062 SS
8512-41	WASHER SEAL THERMO 5/16 OD
8543-23	NUT TNR ZI #8
8543-52	SCREW PHL SS 8X3/8
8543-69	BUSHING SHORTY HEYCO
8543-73	SCREW PAN SLT SS 4-40 X 1
8543-74	NUT HEX 4-40

BL8738 BREWER 8738 MCDS cont'd.

PART NUMBER	DESCRIPTION
HARDWARE CONT'D.:	
8543-80	CLIP MTG
8551-35	FITTING INLET T
8706-102	REDUCER ADAPTER
8710-10	NUT HEX BR 7/16-20 X 1/8
8861-16	NUT 6-32
8941-20	FITTING ADAPTER
8941-21	NUT BR 7/16-20

BL8752 BREWER 8751-8752

PART NUMBER	DESCRIPTION
ELEMENTS:	
8043-14	ELEM 120V 1500W
8549-1	ELEM 120V 2000W
8572-18	ELEM 120V 100W
8716-1	ELEM 240V 3500W
CONTROLS (THERMOSTATS & INFINITE SWITCHES):	
8043-83	THERMO HI LIMIT
8512-51	THERMO
8552-50	THERMO HI LIMIT RESET 240V
HARDWARE FOR ELEMENTS AND THERMOSTATS:	
8512-41	WASHER SEAL THERMO 5/16 OD
SWITCHES (ROCKER & TOGGLE):	
8528-40	SWITCH ROCKER 240V
8554-5	* SWITCH 3POSITION
8707-34	SWITCH ON OFF LIT 120V
8707-55	BREW SWITCH ROCKER
MISC. ELECTRICAL:	
6407-15	CORD & CAP ASSY 4WLS
8552-18	TERM BLOCK
8718-1	TIMER W/KNOB 2MIN 120V
8718-31	LIGHT PILOT GREEN 125V
MISC. MECHANICAL:	
8033-55	LEG LEVELER PLATED
8033-56	CAP LEVELER
8033-60	BUTTON PLUG 3/8 DIA
8043-10	TANK BODY
8043-11	ELBOW OUTLET
8043-12	GASKET COVER TANK
8043-13	ELBOW SPRAYER
8043-15	TUBE VENT
8043-24	TUBE INLET WATER
8043-26	TUBE OUTLET WATER 4 3/4 LG
8043-30	GASKET ELEM HTG
8043-5	STRAP HOLD DOWN
8043-8	ELBOW INLET
82556	FAUCET ASSY PRESSURE N/S
8512-45	COVER TANK
8514-26	VALVE NEEDLE SEAT
8514-68	COVER TANK
8540-3	TUBE OUTLET ASSY 10 7/16 LG
8540-6	COIL ASSY HOT WATER
8541 WF-300	TANK COVER ASSY 8781
8541-120	VALVE SOL
8541-120JS	KIT SOL REPAIR
8541-120KS	KIT SOL REBUILD
8541-21	PAN BASIN
8541-46	HOSE INLET WATER 13IN
8543-1	COVER BACK 8706
8543-300	TANK COVER ASSY
8543-42	HEAD GASKET SPRAY
8543-44	DISC SPRAYER
8543-46	COVER HINGE
8549 WF-300	COVER ASSY TANK
8549-7	COVER BACK 8706
8551-275	KIT FAUCET REPAIR O/S H&H
8551-275 A	DISC
8551-275 B	STRAIGHTENER STREAM
8552-180	TANK COVER SUB ASSY AUTO
8572-16	WARM TOP
8572-20	INLET TUBE ASSY
8700-16	PLATE COVER WARMER BLACK
8706-102	REDUCER ADAPTER
8706-169B	HANDLE FAUCET RED
8707-2	HANDLE BLACK
8707-4	SUPPORT FRAME FILTER
8707-6	CHAMBER BREW
8716-300	TANK COVER SUB ASSY AUTO
8717-300	TANK COVER ASSY A/F 240 3500W
8718-48	BRKT HI LIMIT
8751-11	BASIN BODY ASSY 8751/52
8751-15	PANEL BACK BASIN
8751-17	BOTTOM PLATE SUB ASSY 8751
8751-19	COVER BACK WARMER
8751-24	PANEL WIRING ACCESS 5 WRMR
8751-30	TUBE 2 3/8 SILICONE
8751-31	LABEL RR WARMER 8751

BL8752 BREWER 8751-8752 cont'd.

PART NUMBER	DESCRIPTION
MISC. MECHANICAL CONT'D:	
8751-32	LABEL FR WARMER 8751
8752-1	FORMED TUBE ASSY
8752-5	TUBE STRAIGHT
8810-12	PLUG BUTTON DOT 1/2DIA
8873-12	ELBOW MALE
8942-33	GASKET
HARDWARE:	
3-100	SCREW RD HD 6-32 X1/4
616-5	SCREW 6-32X3/4
7200-6X	SCREW PAN SLT ZI 8-32 X 3/8
7506-30	SCREW 8-32X3/8 TAPG
8043-28	NUT HEX BR 1/2-20
8043-47	SCREW PHL 10-32X1 LG
8043-506	NUT ACR SS 8-32
8541-122	SCREW PAN PHL SS 10-32X1/2
8543-23	NUT TNR ZI #8
8543-49	HINGE COVER WIRE
8543-52	SCREW PHL SS 8X3/8
8543-69	BUSHING SHORTY HEYCO
8543-73	SCREW PAN SLT SS 4-40 X 1
8543-74	NUT HEX 4-40
8543-80	CLIP MTG
8551-100A	SEAL NEOPRENE .125X.625X1
8551-100B	WASHER 7/16 EXTERNAL SEMS
8551-100C	NUT HEX BR 7/16-20 LOW PROF
8551-200 A	O-RING 1/4IN OD
8551-200 B	O-RING 5/16IN OD
8551-200 C	O-RING 3/8IN OD
8551-30	CONNECTOR BRASS
8551-35	FITTING INLET T
8551-53	WASHER SS
8707-3	SCREW HEX 10-32X5/16
8710-10	NUT HEX BR 7/16-20 X 1/8
8751-27	FITTING INLET
8751-28	FITTING OUTLET
8861-16	NUT 6-32
8861-23	SCREW PHL 8X3/8
8881-8	WASHER FLAT .515X.875X.031
8941-20	FITTING ADAPTER
8941-21	NUT BR 7/16-20

BL9012 BREWER 9010-9017

PART NUMBER	DESCRIPTION
ELEMENTS:	
8572-18	ELEM 120V 100W
8760-44	ELEM 240V 4200W
CONTROLS (THERMOSTATS & INFINITE SWITCHES):	
8043-83	THERMO HI LIMIT
8512-51	THERMO
8552-50	THERMO HI LIMIT RESET 240V
SWITCHES (ROCKER & TOGGLE):	
8528-40	SWITCH ROCKER 240V
8593-27	SWITCH TOGGLE
8707-34	SWITCH ON OFF LIT 120V
8707-55	BREW SWITCH ROCKER
8812-79	SWITCH MOMENTARY NC
9102-27	SWITCH VOL SELECT
9104-1	SWITCH TOGGLE
MISC. ELECTRICAL:	
6407-15	CORD & CAP ASSY 4WLS
8552-18	TERM BLOCK
8718-31	LIGHT PILOT GREEN 125V
8738-2	LIGHT PILOT GREEN 250V
9102-28	TIMER 3 LEVEL 120V
MISC. MECHANICAL:	
SA 9052	STRAINER
6440-1	SEAL DRAIN CAP HD
8033-60	BUTTON PLUG 3/8 DIA
8043-11	ELBOW OUTLET
8043-12	GASKET COVER TANK
8043-13	ELBOW SPRAYER
8043-30	GASKET ELEM HTG
82556	FAUCET ASSY PRESSURE N/S
8512-41	WASHER SEAL THERMO 5/16 OD
8514-26	VALVE NEEDLE SEAT
8514-68	COVER TANK
8516-1500	LEG BLACK 4IN 1/4-20 1 EA
8540-30	ELBOW POLYPROPYLENE
8540-4	TUBE FORMED INLET
8540-6	COIL ASSY HOT WATER
8541-120	VALVE SOL
8541-120CS	COIL SOL 120V
8541-120F	VALVE FLO CONTROL
8541-120JS	KIT SOL REPAIR
8541-120K	REPAIR KIT SOL VALVE
8541-120KS	KIT SOL REBUILD
8543-42	HEAD GASKET SPRAY
8543-44	DISC SPRAYER
8551-275	KIT FAUCET REPAIR O/S H&H
8551-275 B	STRAIGHTENER STREAM
8551-30	CONNECTOR BRASS
8574-10	COVER BACK ELECT
8593-44	CAP DRAIN PLATED
8704-25	ARRESTER ASSY WATER HAMMER
8706-188	TUBE CONNECT 11/16
8706-20	TUBE VENT LONG
8706-26	VALVE BYPASS
8706-6	ELBOW INLET
8706-68	TUBE WATER INLET
8706-75	BUTTON PLUG 2IN
8706-9	RACK WIRE BREW CHAMBER
8707-2	HANDLE BLACK
8718-48	BRKT HI LIMIT
8766-2	TUBE WATER INLET HOSE 19IN
8812-57	FITTING UNION 1/4 X 1/4
9102-16	BOTTOM PNL SUB ASSY
9102-18	PAN BASIN SUB ASSY 9102 71300
9102-20	BASE COVER WELD SUB ASSY 9102
9102-22	BACK COVER BASE
9102-300	TANK COVER ASSY 120V
9102-37	TUBE ASSY FAUCET COIL
9102-41	CHAMBER BREW ASY SAT 0.187HOLE
9102-49	BRKT FAUCET SUPPORT
9102-57	CHAMBER BREW COFFEE STAMPED
9102-58	TUBE ASSY INLET
9102-7	BASIN BODY ASSY 9102
9102-8	ELBOW 1/4 FPT/HOSE
9102-9	ELEM 120V 1675W
9104-15	TUBE T BYPASS ASSY
9104-300	COVER TANK ASSY 240V 4200W

BL9012 BREWER 9010-9017 cont'd.

PART NUMBER	DESCRIPTION
HARDWARE:	
3-100	SCREW RD HD 6-32 X1/4
35-210	STRAIN RELIEF LQ TIGHT
616-5	SCREW 6-32X3/4
7200-6X	SCREW PAN SLT ZI 8-32 X 3/8
8043-28	NUT HEX BR 1/2-20
8043-47	SCREW PHL 10-32X1 LG
8043-506	NUT ACR SS 8-32
8201-5	NUT HEX 10-24
8541-120WS	WRENCH SERVICE
8543-23	NUT TNR ZI #8
8543-52	SCREW PHL SS 8X3/8
8543-69	BUSHING SHORTY HEYCO
8543-73	SCREW PAN SLT SS 4-40 X 1
8543-74	NUT HEX 4-40
8551-100A	SEAL NEOPRENE .125X.625X1
8551-100B	WASHER 7/16 EXTERNAL SEMS
8551-100C	NUT HEX BR 7/16-20 LOW PROF
8551-200 A	O-RING 1/4IN OD
8551-200 B	O-RING 5/16IN OD
8551-200 C	O-RING 3/8IN OD
8551-200 E	TOOL ADAPTOR
8706-102	REDUCER ADAPTER
8706-111	SCREW NY
8707-3	SCREW HEX 10-32X5/16
8710-10	NUT HEX BR 7/16-20 X 1/8
8861-16	NUT 6-32
8861-23	SCREW PHL 8X3/8
8941-21	NUT BR 7/16-20
8942-92	NUT KEP 8-32 SS

BLOSDS SAT DOCKING STATION

PART NUMBER	DESCRIPTION
SWITCHES (ROCKER & TOGGLE):	
83105	SWITCH SNAP ACTION SDS-2
MISC. ELECTRICAL:	
6407-15	CORD & CAP ASSY 4WLS
83046	CONNECTOR WIRED ASSY SDS-2
83102	TIMER 30-120MIN W/SPCR & NUT
83108	WIRE SET SDS-2
83346	WIRE SET SDS-1
8718-31	LIGHT PILOT GREEN 125V
MISC. MECHANICAL:	
83073	BASE WLD ASSY SDS-2
83076	LABEL FRONT DECAL SDS-2
83077	HANDLE GUIDE "L" W/SCREWS
83084	GUARD FUNNEL SATELLITE SDS-2
83098	LEG 4IN FLANGE PLASTIC BLK
83104	SPACER TIMER W/LOCK NUT #8-32
83107	FEET RUBBER BLACK PK OF 4
83343	LABEL FRONT DECAL SDS-1
HARDWARE:	
35-210	STRAIN RELIEF LQ TIGHT
7200-6X	SCREW PAN SLT ZI 8-32 X 3/8
ACCESSORIES:	
3901	TRAY DRIP SDS-2
3902	TRAY DRIP SS1
3910	CONDIMENT TRAY ASSY SDS-2

THIS SPACE BANK

BLOSS1 SATELLITE BREWER

PART NUMBER	DESCRIPTION
ELEMENTS:	
82398	ELEM HTG 208V 4000W
83185	ELEM HTG 208V 5500W
8535-2	ELEM 230V 5500W
8760-44	ELEM 240V 4200W
CONTROLS (THERMOSTATS & INFINITE SWITCHES):	
8512-51	THERMO
8552-50	THERMO HI LIMIT RESET 240V
KNOBS:	
82397	KNOB ROTARY SWITCH SKIRT MATTE
SWITCHES (ROCKER & TOGGLE):	
82395	SWITCH LIGHTED 20A 250V
82728	SWITCH ROTARY W/HARNESS
83105	SWITCH SNAP ACTION SDS-2
83120	SWITCH START BREW
8812-40	SWITCH NORM ON-MOM OFF
MISC. ELECTRICAL:	
82391	VALVE SOLENOID 120V .33 GPM
82736	TIMER 3 LEVEL
82743	VALVE SOLENOID 120V .19 GPM
82772	WIRE SET SS1-ADT
83046	CONNECTOR WIRED ASSY SDS-2
83060	LIGHT QUALITY SS1-ADT
83149	TIMER 30-120MIN QUALITY SS1
83182	RELAY 30 AMP
84404	SOLENOID ASSY 120V DUAL VALVE
8718-5	CORD & CAP ASSY
8738-2	LIGHT PILOT GREEN 250V
8875-68	FUSEHOLDER
8875-69	FUSE
MISC. MECHANICAL:	
66385	FITTING CONDUIT STRAIGHT 3/4
8043-11	ELBOW OUTLET
8043-12	GASKET COVER TANK
8043-30	GASKET ELEM HTG
8043-5	STRAP HOLD DOWN
82241	FITTING HOSE CONNECT STRAIGHT
82388	TUBE FILL 90 DEG BEND W/BEAD
82400	TUBE TANK TO SPRAY HEAD
82491	COVER BASIN 9107
82495	TANK COVER
82514	TUBE ASSY COPPER INLET
82534	TANK COVER ASSY SAT BRWR
82556	FAUCET ASSY PRESSURE N/S
82589	BRACKET TANK SUPPORT
82719	FTG TEE 1/4-1/4 FLARE 1/8NPT
82720	FTG TEE BARB
82721	TUBE ASSY COPPER VALVE TO SOL
82724	TUBE SILICONE 4"
82727	DISC SPRAY HEAD EMBOSSED
82729	VALVE DISPENSING ADJUST DUMP
82732	TANK WLD ASSY SS1
82733	PANEL FRONT
82735	BODY WELDED ASSY
82737	BRACKET DBL SOLENOID
82738	SPOUT ASSY
82739	NUT TANK FITTING
82740	TUBE SILICONE 8"
82741	FITTING ELBOW W/EXTENSION
83059	GUIDE BASE SS1-ADT
83098	LEG 4IN FLANGE PLASTIC BLK
83100	BREW CHAMBER ASSY SS1
83101	CHAMBER BREW SS1
83104	SPACER TIMER W/LOCK NUT #8-32
83107	FEET RUBBER BLACK PK OF 4
83146	STRAINER ASSY W/QUICK DISCONN
83147	WASHER GYLON 1/2 ID 3/4 OD
83148	WASHER GYLON 7/16 ID 3/4 OD
83151	BRACKET ADAPTOR BYPASS SS1
83152	ELBOW SPRAYER 1/4 ID
83153	TANK COVER ASSY SS1-BDTMC
83187	TANK COVER ASSY SS1-AD55
83354	TANK COVER ASSY SS1-BD55
83414	SHIELD HI-LIMIT
83570	INSERT REG. SS2
83617	BYPASS VALVE ASSEMBLY

BLOSS1 SATELLITE BREWER cont'd.

PART NUMBER	DESCRIPTION
MISC. MECHANICAL CONT'D:	
83618	BYPASS VALVE ASSEMBLY
83749	BRACKET TRANSFORMER
83910	STRAINER ASSY MCD
84132	DISC, SPRAYHEAD EMBOSSED,.0511
84401	CONTROL FLOW .317 GPM BLUE
84402	PLUMBING ASSY SS1
84405	TUBE SILICONE .312 DIA X 2.1
84406	TUBE SILICONE .312 DIA X 2.5
8514-26	VALVE NEEDLE SEAT
8514-88	COUPLING FLARE SWIVEL CONN
85218	PLASTIC SOLENOID VALVE KIT
85219	SCREEN STRAINER VALVE
8540-4	TUBE FORMED INLET
8540-6	COIL ASSY HOT WATER
8543-42	HEAD GASKET SPRAY
8543-69	BUSHING SHORTY HEYCO
8551-30	CONNECTOR BRASS
8552-18	TERM BLOCK
8572-34	DOOR ACCESS SOLENOID
8706-160	CONNECTOR
8706-20	TUBE VENT LONG
8706-9	RACK WIRE BREW CHAMBER
8707-129	LABEL WARNING
8707-2	HANDLE BLACK
8781-32	ELBOW 1/8MPT X1/4FL
8812-55	TEE PIPE
8812-57	FITTING UNION 1/4 X 1/4
8812-73	CLIP BREW BASKET
9102-58	TUBE ASSY INLET
9102-8	ELBOW 1/4 FPT/HOSE
HARDWARE:	
3-100	SCREW RD HD 6-32 X1/4
55455	NUT HEX SS 8-32 PK 50
55530	SCREW RND PH NI 8-32X3/8 PK100
7200-6X	SCREW PAN SLT ZI 8-32 X 3/8
8043-28	NUT HEX BR 1/2-20
8043-47	SCREW PHL 10-32X1 LG
8043-506	NUT ACR SS 8-32
82680	NUT HEX JAM 7/16-20 NI PLTD
82681	WASHER FLT 15/32X1 1/8 X062 SS
8512-41	WASHER SEAL THERMO 5/16 OD
8543-23	NUT TNR ZI #8
8543-52	SCREW PHL SS 8X3/8
8551-100B	WASHER 7/16 EXTERNAL SEMS
8551-53	WASHER SS
8707-3	SCREW HEX 10-32X5/16
8710-10	NUT HEX BR 7/16-20 X 1/8
8812-70	WASHER WATER FILL PC-1M
8941-21	NUT BR 7/16-20
8942-92	NUT KEP 8-32 SS
ACCESSORIES:	
3902	TRAY DRIP SS1

BLOSS2 SATELLITE DUAL BREWER

PART NUMBER	DESCRIPTION
ELEMENTS:	
83287	ELEMENT 3000W 230V
83424	ELEM TANK 208V 2750W SS2
CONTROLS (THERMOSTATS & INFINITE SWITCHES):	
83312	THERMO HI-LIMIT DBL POLE
SWITCHES (ROCKER & TOGGLE):	
81756	SWITCH ON OFF LTD BLK 240V 16A
CONTACTORS:	
57728	CONTACTOR 2POLE 240V 35A
MISC. ELECTRICAL:	
82114	PROBE 8783MCD
83046	CONNECTOR WIRED ASSY SDS-2
83288	OVERLAY CONTROL PANEL SS2
83289	* BOARD CONTROL & POWER 120V
83313	THERMISTER SS PASSIVATE SS2
83392	HEAT SINK & TRIAC ASSY
83552	WIRE ASSY WATER LVL PROBE SS2
83960	CONVERSION KIT PWR/CNTRL BOARD
84323	POWER & CONTROL BOARD ASSY SS2
84421	BOARD WATER LEVEL SENSOR RETRO
8552-18	TERM BLOCK
8706-160	CONNECTOR
8875-68	FUSEHOLDER
8875-69	FUSE
MISC. MECHANICAL:	
SA 9052	STRAINER
500102	STRAIN RELIEF CONVECT OVENS
66575	VALVE DRAIN 3/8NPT
8043-11	ELBOW OUTLET
8043-12	GASKET COVER TANK
8043-30	GASKET ELEM HTG
8043-5	STRAP HOLD DOWN
82115	GROMMET 1/4 ID
82390	GROMMET .375 ID TRANSLUCENT
82580	KIT REPAIR FAUCET 8783-1 W/HDL
82727	DISC SPRAY HEAD EMBOSSED
82729	VALVE DISPENSING ADJUST DUMP
82738	SPOUT ASSY
82740	TUBE SILICONE 8"
83073	BASE WLD ASSY SDS-2
83077	HANDLE GUIDE "L" W/SCREWS
83098	LEG 4IN FLANGE PLASTIC BLK
83100	BREW CHAMBER ASSY SS1
83107	FEET RUBBER BLACK PK OF 4
83298	BOTTOM PLATE ASSY SS2
83302	PANEL FRONT SS2
83304	PANEL BACK SS2
83305	COVER TOP HOUSING SS2
83309	GASKET TANK HEATER SS2
83311	TUBE FILL 90DEG BEND SS2
83314	TUBE SILICONE 1/2" ID 7.3" LG
83318	PLUG TANK LID .510 DIA
83319	PLUG TANK LID .298 DIA
83320	PLUG TANK LID .687 DIA
83325	TANK LID WELDED ASSY SS2
83358	PLUG TANK DRAIN SS2
83380	TUBE ASSY COPPER TUBE
83381	KIT DRAIN VALVE ASSEMBLY
83384	TUBE SPRAY HEAD 2 3/8 LG
83385	TUBE SILICONE 21" LG
83388	VALVE BYPASS ADJUSTABLE BREW
83414	SHIELD HI-LIMIT
83546	ELBOW SPRAYER WITH INSERT
83571	INSERT BYPASS HEAD SS2
83617	BYPASS VALVE ASSEMBLY
83618	BYPASS VALVE ASSEMBLY
84063	GROMMET .510 DIA-1/4 HOLE
8540-4	TUBE FORMED INLET
8541-120	VALVE SOL
8543-42	HEAD GASKET SPRAY
8572-20	INLET TUBE ASSY
8705-36	PLUG BUTTON 7/8IN
8706-75	BUTTON PLUG 2IN
8706-9	RACK WIRE BREW CHAMBER
8707-2	HANDLE BLACK
8783-1	FAUCET HOT WATER
9102-8	ELBOW 1/4 FPT/HOSE

BLOSS2 SATELLITE DUAL BREWER cont'd.

PART NUMBER	DESCRIPTION
HARDWARE:	
D 20002-3	SCREW PAN PHL SS 10-32 X 5/16
51243	SCREW RND PHL 8-32X7/8 SET 10
55485	NUT HEX SS 1/4-20 PK100
616-5	SCREW 6-32X3/4
65001	SCRW PN PH SS 10-32X1/2 TYPE F
66385	FITTING CONDUIT STRAIGHT 3/4
67662	FITTING STR BRS 3/8NPT X3/8INS
68748	SCREW PAN PHL BLKOX 4-40 X 3/8
7200-6X	SCREW PAN SLT ZI 8-32 X 3/8
7506-39	SCREW PAN PHL SS 8-32 X 1/2
8043-47	SCREW PHL 10-32X1 LG
8043-506	NUT ACR SS 8-32
82148	WASHER LOCK INT 1/2 ID SS
82739	NUT TANK FITTING
82741	FITTING ELBOW W/EXTENSION
83147	WASHER GYLON 1/2 ID 3/4 OD
83357	NUT TANK DRAIN PLUG SS2
83359	WASHER FLARE TANK DRAIN SS2
83362	SPACER .171 ID X 1/4 LG
83415	NUT HEX #6-32 X 1 ALUM
8543-69	BUSHING SHORTY HEYCO
8551-53	WASHER SS
8710-10	NUT HEX BR 7/16-20 X 1/8
8812-57	FITTING UNION 1/4 X 1/4
8812-70	WASHER WATER FILL PC-1M
8942-92	NUT KEP 8-32 SS
ACCESSORIES:	
3901	TRAY DRIP SDS-2

BLOSS2HE SATELLITE ELECTRONIC

PART NUMBER	DESCRIPTION
ELEMENTS:	
84344	ELEMENT 240V/3000W
8572-18	ELEM 120V 100W
CONTROLS (THERMOSTATS & INFINITE SWITCHES):	
83312	THERMO HI-LIMIT DBL POLE
84323	POWER & CONTROL BOARD ASSY SS2
SWITCHES (ROCKER & TOGGLE):	
84098	SWITCH 2 POLE 50A 50/60HZ
84382	SWITCH ROCKER HIGH TEMP
MISC. ELECTRICAL:	
57465	TERM BLOCK MAIN 85AMP
83392	HEAT SINK & TRIAC ASSY
83552	WIRE ASSY WATER LVL PROBE SS2
84353	VALVE ASSY (NO STRAINER)
MISC. MECHANICAL:	
SA 9052	STRAINER
500102	STRAIN RELIEF CONVECT OVENS
80154	FITTING UNION 1/4X1/4
8043-11	ELBOW OUTLET
8043-12	GASKET COVER TANK
82215	GASKET SPRAY HEAD 1.5 ID
82387	CHAMBER BREW .250 DIA HOLE
82390	GROMMET .375 ID TRANSLUCENT
82396	GROMMET ADAPTOR BYPASS
82533	CHAMBER BREW ASSY 9107
82727	DISC SPRAY HEAD EMBOSSED
83098	LEG 4IN FLANGE PLASTIC BLK
83107	FEET RUBBER BLACK PK OF 4
83152	ELBOW SPRAYER 1/4 ID
83288	OVERLAY CONTROL PANEL SS2
83309	GASKET TANK HEATER SS2
83313	THERMISTER SS PASSIVATE SS2
83318	PLUG TANK LID .510 DIA
83319	PLUG TANK LID .298 DIA
83320	PLUG TANK LID .687 DIA
83325	TANK LID WELDED ASSY SS2
83384	TUBE SPRAY HEAD 2 3/8 LG
83388	VALVE BYPASS ADJUSTABLE BREW
83414	SHIELD HI-LIMIT
83521	PROBE ASSY WATER LEVEL
83532	SLEEVE WATER LEVEL PROBE
83537	TUBE SILICONE 9" LG
83540	TUBE SILICONE 23" LG
83571	INSERT BYPASS HEAD SS2
84063	GROMMET .510 DIA-1/4 HOLE
84343	TUBE FILL 90 BEND
84351	DECAL BASE SS2-HE
84364	TEE PLASTIC 1/2 BARB
84366	TUBE SILICONE .50 DIA X 2"
84367	TUBE SILICONE .50 DIA X 2.38
84368	TUBE SILICONE .50 DIA X 2.75
84369	TUBE SILICONE .312 DIA X 1.0
84370	TUBE ASSY INLET
84604	DECAL CONTROL PANEL SS2 9221
8540-4	TUBE FORMED INLET
8703-26	RETAINER DISC HTR
8706-9	RACK WIRE BREW CHAMBER
8707-2	HANDLE BLACK
8783-1	FAUCET HOT WATER
8812-57	FITTING UNION 1/4 X 1/4
HARDWARE:	
D 20002-3	SCREW PAN PHL SS 10-32 X 5/16
3-100	SCREW RD HD 6-32 X1/4
55313	NUT KEP 10-32
55485	NUT HEX SS 1/4-20 PK100
68748	SCREW PAN PHL BLKOX 4-40 X 3/8
7200-6X	SCREW PAN SLT ZI 8-32 X 3/8
82148	WASHER LOCK INT 1/2 ID SS
83415	NUT HEX #6-32 X 1 ALUM
83778	RETAINING CLIP TANK LID
8543-23	NUT TNR ZI #8
8543-52	SCREW PHL SS 8X3/8
8551-53	WASHER SS
8706-65	SCREW PAN SLT SS 6-32 X 7/8
8707-3	SCREW HEX 10-32X5/16
8710-10	NUT HEX BR 7/16-20 X 1/8
8812-73	CLIP BREW BASKET

BLOSS2HM SATELLITE MANUAL CNTR

PART NUMBER	DESCRIPTION
ELEMENTS:	
84344	ELEMENT 240V/3000W
8572-18	ELEM 120V 100W
CONTROLS (THERMOSTATS & INFINITE SWITCHES):	
67444	CONTROL WATER 208/240V WARMERS
82216	THERMO W/36 CAPILLARY
83312	THERMO HI-LIMIT DBL POLE
HARDWARE FOR ELEMENTS AND THERMOSTATS:	
83309	GASKET TANK HEATER SS2
8703-26	RETAINER DISC HTR
SWITCHES (ROCKER & TOGGLE):	
82395	SWITCH LIGHTED 20A 250V
84098	SWITCH 2 POLE 50A 50/60HZ
84382	SWITCH ROCKER HIGH TEMP
84620	SWITCH LIGHTED SP OFF MOM ON
84621	SWITCH DP ON MOM OFF 10A 250V
84622	SWITCH DP ON NONE ON 10A 250V
MISC. ELECTRICAL:	
50131	TERM BLOCK KIT (RETRO 30131)
83521	PROBE ASSY WATER LEVEL
84353	VALVE ASSY (NO STRAINER)
84623	TIMER FULL 2/3 1/3
MISC. MECHANICAL:	
SA 9052	STRAINER
500102	STRAIN RELIEF CONVECT OVENS
8043-11	ELBOW OUTLET
8043-12	GASKET COVER TANK
82215	GASKET SPRAY HEAD 1.5 ID
82387	CHAMBER BREW .250 DIA HOLE
82390	GROMMET .375 ID TRANSLUCENT
82396	GROMMET ADAPTOR BYPASS
82533	CHAMBER BREW ASSY 9107
82720	FTG TEE BARB
82727	DISC SPRAY HEAD EMBOSSED
83098	LEG 4IN FLANGE PLASTIC BLK
83107	FEET RUBBER BLACK PK OF 4
83152	ELBOW SPRAYER 1/4 ID
83318	PLUG TANK LID .510 DIA
83319	PLUG TANK LID .298 DIA
83320	PLUG TANK LID .687 DIA
83384	TUBE SPRAY HEAD 2 3/8 LG
83388	VALVE BYPASS ADJUSTABLE BREW
83414	SHIELD HI-LIMIT
83532	SLEEVE WATER LEVEL PROBE
83537	TUBE SILICONE 9" LG
83538	TUBE SILICONE 10" LG
83540	TUBE SILICONE 23" LG
83571	INSERT BYPASS HEAD SS2
83778	RETAINING CLIP TANK LID
84063	GROMMET .510 DIA-1/4 HOLE
84343	TUBE FILL 90 BEND
84369	TUBE SILICONE .312 DIA X 1.0
84370	TUBE ASSY INLET
84628	TUBE SILICONE .312 DIA X 1.8
84630	TUBE SILICONE .50 I.D.X 4.25L
8540-4	TUBE FORMED INLET
8706-110	FILTER PAPER 8702,04,06 CS-500
8738-2	LIGHT PILOT GREEN 250V
8783-1	FAUCET HOT WATER
HARDWARE:	
3-100	SCREW RD HD 6-32 X1/4
55313	NUT KEP 10-32
55485	NUT HEX SS 1/4-20 PK100
7200-6X	SCREW PAN SLT ZI 8-32 X 3/8
8551-53	WASHER SS
8706-65	SCREW PAN SLT SS 6-32 X 7/8

BLOSS2SB SATELLITE DUAL BREWER**BLOSS2SB SATELLITE DUAL BREWER cont'd.**

PART NUMBER	DESCRIPTION
ELEMENTS:	
84097	ELEMENT 5000W 240V
CONTROLS (THERMOSTATS & INFINITE SWITCHES):	
83312	THERMO HI-LIMIT DBL POLE
84564	BOARD SET CUSTOM PROG SS2-BDSB
HARDWARE FOR ELEMENTS AND THERMOSTATS:	
8043-30	GASKET ELEM HTG
SWITCHES (ROCKER & TOGGLE):	
84098	SWITCH 2 POLE 50A 50/60HZ
MISC. ELECTRICAL:	
60310	TERM BLOCK 4POLE 75AMP 220/380
82114	PROBE 8783MCD
83046	CONNECTOR WIRED ASSY SDS-2
83313	THERMISTER SS PASSIVATE SS2
83552	WIRE ASSY WATER LVL PROBE SS2
83878	HEATSINK & TRIACS (2) ASSY
84421	BOARD WATER LEVEL SENSOR RETRO
84427	ASSY WATER INLET
8875-68	FUSEHOLDER
8875-69	FUSE
MISC. MECHANICAL:	
SA 9052	STRAINER
500102	STRAIN RELIEF CONVECT OVENS
57512	PLUG HOLE 1 3/8
66575	VALVE DRAIN 3/8NPT
67662	FITTING STR BRS 3/8NPT X3/8INS
8043-11	ELBOW OUTLET
8043-12	GASKET COVER TANK
82115	GROMMET 1/4 ID
82390	GROMMET .375 ID TRANSLUCENT
82738	SPOUT ASSY
82741	FITTING ELBOW W/EXTENSION
83077	HANDLE GUIDE "L" W/SCREWS
83098	LEG 4IN FLANGE PLASTIC BLK
83100	BREW CHAMBER ASSY SS1
83101	CHAMBER BREW SS1
83107	FEET RUBBER BLACK PK OF 4
83152	ELBOW SPRAYER 1/4 ID
83309	GASKET TANK HEATER SS2
83311	TUBE FILL 90DEG BEND SS2
83314	TUBE SILICONE 1/2" ID 7.3" LG
83318	PLUG TANK LID .510 DIA
83319	PLUG TANK LID .298 DIA
83320	PLUG TANK LID .687 DIA
83325	TANK LID WELDED ASSY SS2
83380	TUBE ASSY COPPER TUBE
83384	TUBE SPRAY HEAD 2 3/8 LG
83385	TUBE SILICONE 21" LG
83388	VALVE BYPASS ADJUSTABLE BREW
83414	SHIELD HI-LIMIT
83537	TUBE SILICONE 9" LG
83553	TUBE SILICONE 72"LG
83571	INSERT BYPASS HEAD SS2
83605	ELBOW MALE 5/8 X 3/8 90 DEG.
83617	BYPASS VALVE ASSEMBLY
83618	BYPASS VALVE ASSEMBLY
84063	GROMMET .510 DIA-1/4 HOLE
84099	OVERLAY KEYPAD STARBUCKS
84100	LABEL BASE DECAL SS2-BDSB
84132	DISC, SPRAYHEAD EMBOSSED,.0511
84423	SPRING COMPRESSION .437 O.D.SS
84426	PANEL BACK BODY
84430	TUBE ASSY FORMED
84431	RETAINER TUBE
84433	TUBE SILICONE .312 I.D. 6.00
84434	TUBE FORMED SS
84435	INSULATION LYTHERM FAUCET TUBE
84650	TUBE SILICONE .312 I.D. 4.8"L
8540-4	TUBE FORMED INLET
8543-42	HEAD GASKET SPRAY
8543-69	BUSHING SHORTY HEYCO
8572-34	DOOR ACCESS SOLENOID
8705-36	PLUG BUTTON 7/8IN
8706-9	RACK WIRE BREW CHAMBER
8707-2	HANDLE BLACK
8783-1	FAUCET HOT WATER
8812-57	FITTING UNION 1/4 X 1/4

PART NUMBER	DESCRIPTION
HARDWARE:	
3-100	SCREW RD HD 6-32 X1/4
51038	RETAINER TRADEMARK SET OF 10
51243	SCREW RND PHL 8-32X7/8 SET 10
55313	NUT KEP 10-32
55485	NUT HEX SS 1/4-20 PK100
65001	SCRW PN PH SS 10-32X1/2 TYPE F
68748	SCREW PAN PHL BLKOX 4-40 X 3/8
7200-6X	SCREW PAN SLT ZI 8-32 X 3/8
7506-39	SCREW PAN PHL SS 8-32 X 1/2
82148	WASHER LOCK INT 1/2 ID SS
82681	WASHER FLT 15/32X1 1/8 X062 SS
82739	NUT TANK FITTING
83147	WASHER GYLON 1/2 ID 3/4 OD
83362	SPACER .171 ID X 1/4 LG
83415	NUT HEX #6-32 X 1 ALUM
83778	RETAINING CLIP TANK LID
8551-53	WASHER SS
8707-3	SCREW HEX 10-32X5/16
8710-10	NUT HEX BR 7/16-20 X 1/8
8812-70	WASHER WATER FILL PC-1M
8812-73	CLIP BREW BASKET
8942-92	NUT KEP 8-32 SS

BL8702 BREWER 8702/8703

PART NUMBER	DESCRIPTION
ELEMENTS:	
8535-2	ELEM 230V 5500W
8703-25	ELEM 60W
CONTROLS (THERMOSTATS & INFINITE SWITCHES):	
8043-83	THERMO HI LIMIT
8706-13	THERMO ASSY
8706-17	TIMER 4MIN MODIFIED
KNOBS:	
8706-96	KNOB THERMOSTAT
SWITCHES (ROCKER & TOGGLE):	
8596-43	SWITCH ON OFF LIT 120V WHITE
8706-19	SWITCH SNAP ACTION MICRO
8706-28	SWITCH BREW
8707-34	SWITCH ON OFF LIT 120V
MISC. ELECTRICAL:	
8700-517	RELAY 30AMP
8703-11	CORD & CAP ASSY
8706-17	TIMER 4MIN MODIFIED
8706-186	GREEN PILOT LIGHT ASSY
8875-68	FUSEHOLDER
8875-69	FUSE
MISC. MECHANICAL:	
8043-11	ELBOW OUTLET
8043-12	GASKET COVER TANK
8043-13	ELBOW SPRAYER
8043-30	GASKET ELEM HTG
8043-5	STRAP HOLD DOWN
82685	FAUCET ASSY W/EXTENSION
8514-26	VALVE NEEDLE SEAT
8514-68	COVER TANK
8541-120	VALVE SOL
8541-120CS	COIL SOL 120V
8541-120F	VALVE FLO CONTROL
8541-120JS	KIT SOL REPAIR
8541-120K	REPAIR KIT SOL VALVE
8541-120KS	KIT SOL REBUILD
8543-42	HEAD GASKET SPRAY
8543-44	DISC SPRAYER
8551-275	KIT FAUCET REPAIR O/S H&H
8551-275 A	DISC
8551-275 B	STRAIGHTENER STREAM
8600-17	CAP SHIELD VENT HL
8600-20	SHIELD 10 GAUGE
8700-377	TERM BLOCK CONTACT
8700-378	END TERMINAL BLOCK
8700-591	* LEG
8702-19	OUTLET SUB ASSY
8703-27	COVER ACCESS 8702
8703-8	SATELLITE BODY SUB ASSY 8702
8705-1	SPACER TANK COVER SET
8705-11	FAUCET ASSY W/SG 10IN GLASS
8705-11 C	TUBE SIGHT-GLASS 10IN
8705-11D	SHANK ASSEMBLY
8705-11F	FAUCET ONLY
8705-11G	SHIELD BASE
8705-11J	CAP CLEAN OUT W/WSH
8705-18	CAP SUB ASSY 8705
8705-21	COVER SATELLITE
8705-22	SATELLITE TANK ASSY
8705-26	SEAL DRAIN FITTING
8705-4	HANDLE SATELLITE
8705-40	TRAY DRIP STAINLESS STEEL
8705-41	BODY DRIP TRAY STAINLESS STEEL
8705-44	SHIELD FAUCET
8705-45	FOOT SATELLITE
8705-5	RETAINER SPRING
8705-6	BLOCK LOCATING
8705-60	SPACER TUBE ASSY
8706-1	SNUBBER TUBE ASSY
8706-102	REDUCER ADAPTER
8706-107	CHAMBER BREW SUB ASSY
8706-110	FILTER PAPER 8702,04,06 CS-500
8706-156	BACK COVER SUB ASSY
8706-166	BRKT RELAY MTG
8706-169B	HANDLE FAUCET RED
8706-188	TUBE CONNECT 11/16

BL8702 BREWER 8702/8703 cont'd.

PART NUMBER	DESCRIPTION
MISC. MECHANICAL CONT'D	
8706-20	TUBE VENT LONG
8706-205	KIT BYPASS SET
8706-21	TUBE WATER OUTLET 24 1/4
8706-22	BAR LOCATOR
8706-23	SNUBBER TUBE ASSY
8706-24	STRAIGHT TUBE ASSY
8706-25	TUBE ASSY T BYPASS
8706-26	VALVE BYPASS
8706-3	INLET TUBE ASSY
8706-4	TUBE ASSY INLET FORMED
8706-41	PLATE COVER 8706
8706-46	COVER BASIN BREW SYSTEM
8706-49	WATER TANK ASSY
8706-5	FAUCET TUBE ASSY
8706-54	COVER FR SUB ASSY
8706-57	PAN BASIN ASSY
8706-6	ELBOW INLET
8706-60	CHAMBER BREW ASSY SATELLITE
8706-68	TUBE WATER INLET
8706-75	BUTTON PLUG 2IN
8706-76	PLUG BOTTON 1 1/8IN
8706-8	COIL WATER HV BREWER TESTED
8706-9	RACK WIRE BREW CHAMBER
8707-2	HANDLE BLACK
8873-12	ELBOW MALE
8942-33	GASKET
HARDWARE:	
18-126	NUT HEX 1/4-20
18-302	* NUT HEX SS 8-32
3-100	SCREW RD HD 6-32 X1/4
6541-39	SCREW 1/4-20 X 3/4
7200-6X	SCREW PAN SLT ZI 8-32 X 3/8
8043-28	NUT HEX BR 1/2-20
8043-47	SCREW PHL 10-32X1 LG
8512-41	WASHER SEAL THERMO 5/16 OD
8541-120WS	WRENCH SERVICE
8541-122	SCREW PAN PHL SS 10-32X1/2
8541-48 A	FITTING 90 EL BR1/4NPTX7/16-20
8543-23	NUT TNR ZI #8
8543-52	SCREW PHL SS 8X3/8
8543-69	BUSHING SHORTY HEYCO
8543-73	SCREW PAN SLT SS 4-40 X 1
8543-74	NUT HEX 4-40
8551-100A	SEAL NEOPRENE .125X.625X1
8551-100B	WASHER 7/16 EXTERNAL SEMS
8551-100C	NUT HEX BR 7/16-20 LOW PROF
8551-200 A	O-RING 1/4IN OD
8551-200 B	O-RING 5/16IN OD
8551-200 C	O-RING 3/8IN OD
8551-200 E	TOOL ADAPTOR
8551-30	CONNECTOR BRASS
8551-35	FITTING INLET T
8551-53	WASHER SS
8700-25 H	WASHER LOWER TUBE

BL8706 BREWER SATELLITE 8706

PART NUMBER	DESCRIPTION
ELEMENTS:	
8535-2	ELEM 230V 5500W
HEAD ASSEMBLIES:	
8705-37	SCREW TRS 8-32X5/8
CONTROLS (THERMOSTATS & INFINITE SWITCHES):	
8043-83	THERMO HI LIMIT
8706-13	THERMO ASSY
8706-17	TIMER 4MIN MODIFIED
8706-7	TIMER QC
HARDWARE FOR ELEMENTS AND THERMOSTATS:	
8512-41	WASHER SEAL THERMO 5/16 OD
KNOBS:	
8706-96	KNOB THERMOSTAT
SWITCHES (ROCKER & TOGGLE):	
8706-19	SWITCH SNAP ACTION MICRO
8706-28	SWITCH BREW
8707-34	SWITCH ON OFF LIT 120V
8707-55	BREW SWITCH ROCKER
MISC. ELECTRICAL:	
8700-517	RELAY 30AMP
8706-186	GREEN PILOT LIGHT ASSY
8706-189	LIGHT PILOT RED
8706-70	CORD & CAP ASSY
MISC. MECHANICAL:	
SA 9052	STRAINER
8043-11	ELBOW OUTLET
8043-12	GASKET COVER TANK
8043-13	ELBOW SPRAYER
8043-30	GASKET ELEM HTG
8043-5	STRAP HOLD DOWN
82685	FAUCET ASSY W/EXTENSION
8514-26	VALVE NEEDLE SEAT
8514-68	COVER TANK
8516-1500	LEG BLACK 4IN 1/4-20 1 EA
8540-30	ELBOW POLYPROPYLENE
8541-120	VALVE SOL
8541-120JS	KIT SOL REPAIR
8541-48 A	FITTING 90 EL BR1/4NPTX7/16-20
8543-42	HEAD GASKET SPRAY
8543-44	DISC SPRAYER
8551-275	KIT FAUCET REPAIR O/S H&H
8700-377	TERM BLOCK CONTACT
8700-378	END TERMINAL BLOCK
8706-1	SNUBBER TUBE ASSY
8706-102	REDUCER ADAPTER
8706-107	CHAMBER BREW SUB ASSY
8706-135	ADAPTER FLARE FEMALE
8706-136	STRAINER TUBE ASSY
8706-156	BACK COVER SUB ASSY
8706-166	BRKT RELAY MTG
8706-169B	HANDLE FAUCET RED
8706-188	TUBE CONNECT 11/16
8706-20	TUBE VENT LONG
8706-21	TUBE WATER OUTLET 24 1/4
8706-210	POLY BRAID HOSE ASSY
8706-22	BAR LOCATOR
8706-23	SNUBBER TUBE ASSY
8706-24	STRAIGHT TUBE ASSY
8706-25	TUBE ASSY T BYPASS
8706-26	VALVE BYPASS
8706-3	INLET TUBE ASSY
8706-300	TANK COVER ASSY 240V
8706-4	TUBE ASSY INLET FORMED
8706-41	PLATE COVER 8706
8706-46	COVER BASIN BREW SYSTEM
8706-49	WATER TANK ASSY
8706-5	FAUCET TUBE ASSY
8706-52	BASIN BODY ASSY 8706
8706-54	COVER FR SUB ASSY
8706-57	PAN BASIN ASSY
8706-6	ELBOW INLET
8706-60	CHAMBER BREW ASSY SATELLITE
8706-68	TUBE WATER INLET
8706-75	BUTTON PLUG 2IN
8706-76	PLUG BOTTON 1 1/8IN
8706-8	COIL WATER HV BREWER TESTED

BL8706 BREWER SATELLITE 8706 cont'd.

PART NUMBER	DESCRIPTION
MISC. MECHANICAL CONT'D	
8706-9	RACK WIRE BREW CHAMBER
8706-97	FITTING UNION TEE
8707-2	HANDLE BLACK
HARDWARE:	
18-126	NUT HEX 1/4-20
18-302	* NUT HEX SS 8-32
3-100	SCREW RD HD 6-32 X1/4
616-5	SCREW 6-32X3/4
6541-39	SCREW 1/4-20 X 3/4
8043-28	NUT HEX BR 1/2-20
8043-47	SCREW PHL 10-32X1 LG
8543-23	NUT TNR ZI #8
8543-52	SCREW PHL SS 8X3/8
8543-73	SCREW PAN SLT SS 4-40 X 1
8543-74	NUT HEX 4-40
8551-100A	SEAL NEOPRENE .125X.625X1
8551-100B	WASHER 7/16 EXTERNAL SEMS
8551-100C	NUT HEX BR 7/16-20 LOW PROF
8551-30	CONNECTOR BRASS
8551-35	FITTING INLET T
8705-37	SCREW TRS 8-32X5/8
8706-109	STRAIN RELIEF 3/8IN
8706-111	SCREW NY
8706-138	COUPLING 1/4 IN MPT SHUT OFF
8706-64	SCREW PAN SLT SS 1/4-20 X 1
8706-65	SCREW PAN SLT SS 6-32 X 7/8
8707-3	SCREW HEX 10-32X5/16
8710-10	NUT HEX BR 7/16-20 X 1/8
8941-21	NUT BR 7/16-20
8942-92	NUT KEP 8-32 SS

BL9102A BREWER 9010-9104A

PART NUMBER	DESCRIPTION
ELEMENTS:	
8572-18	ELEM 120V 100W
8760-44	ELEM 240V 4200W
9102-9	ELEM 120V 1675W
CONTROLS (THERMOSTATS & INFINITE SWITCHES):	
8043-83	THERMO HI LIMIT
8512-51	THERMO
8552-50	THERMO HI LIMIT RESET 240V
HARDWARE FOR ELEMENTS AND THERMOSTATS:	
8512-41	WASHER SEAL THERMO 5/16 OD
SWITCHES (ROCKER & TOGGLE):	
8528-40	SWITCH ROCKER 240V
8593-27	SWITCH TOGGLE
8707-34	SWITCH ON OFF LIT 120V
8812-79	SWITCH MOMENTARY NC
9102-27	SWITCH VOL SELECT
9104-1	SWITCH TOGGLE
MISC. ELECTRICAL:	
6407-15	CORD & CAP ASSY 4WLS
8552-18	TERM BLOCK
8718-31	LIGHT PILOT GREEN 125V
9102-28	TIMER 3 LEVEL 120V
MISC. MECHANICAL:	
SA 9052	STRAINER
80158	TUBE OUTLET WATER 7 1/4 LG
8033-60	BUTTON PLUG 3/8 DIA
8043-11	ELBOW OUTLET
8043-12	GASKET COVER TANK
8043-13	ELBOW SPRAYER
8043-30	GASKET ELEM HTG
8043-5	STRAP HOLD DOWN
81306	BRKT TANK SUPPORT
82556	FAUCET ASSY PRESSURE N/S
8514-26	VALVE NEEDLE SEAT
8514-68	COVER TANK
8516-1500	LEG BLACK 4IN 1/4-20 1 EA
8540-30	ELBOW POLYPROPELYNE
8540-4	TUBE FORMED INLET
8540-6	COIL ASSY HOT WATER
8541-120	VALVE SOL
8543-42	HEAD GASKET SPRAY
8543-44	DISC SPRAYER
8574-10	COVER BACK ELECT
8593-44	CAP DRAIN PLATED
8704-25	ARRESTER ASSY WATER HAMMER
8706-188	TUBE CONNECT 11/16
8706-20	TUBE VENT LONG
8706-26	VALVE BYPASS
8706-6	ELBOW INLET
8706-68	TUBE WATER INLET
8706-75	BUTTON PLUG 2IN
8706-9	RACK WIRE BREW CHAMBER
8707-2	HANDLE BLACK
8718-48	BRKT HI LIMIT
8766-2	TUBE WATER INLET HOSE 19IN
9102-16	BOTTOM PNL SUB ASSY
9102-18	PAN BASIN SUB ASSY 9102 71300
9102-20	BASE COVER WELD SUB ASSY 9102
9102-22	BACK COVER BASE
9102-37	TUBE ASSY FAUCET COIL
9102-41	CHAMBER BREW ASY SAT 0.187HOLE
9102-49	BRKT FAUCET SUPPORT
9102-57	CHAMBER BREW COFFEE STAMPED
9102-58	TUBE ASSY INLET
9102-59	TANK BODY WELDED ASSY 9102A
9102-7	BASIN BODY ASSY 9102
9102-8	ELBOW 1/4 FPT/HOSE
HARDWARE:	
3-100	SCREW RD HD 6-32 X1/4
35-210	SCREW 6-32X3/4
616-5	SCREW 6-32X3/4
6440-1	SEAL DRAIN CAP HD
7200-6X	SCREW PAN SLT ZI 8-32 X 3/8
8043-28	NUT HEX BR 1/2-20
8043-47	SCREW PHL 10-32X1 LG
8043-506	NUT ACR SS 8-32

BL9102A BREWER 9010-9104A cont'd.

PART NUMBER	DESCRIPTION
HARDWARE CONT'D:	
8201-5	NUT HEX 10-24
8543-23	NUT TNR ZI #8
8543-52	SCREW PHL SS 8X3/8
8543-69	BUSHING SHORTY HEYCO
8543-73	SCREW PAN SLT SS 4-40 X 1
8543-74	NUT HEX 4-40
8551-100A	SEAL NEOPRENE .125X.625X1
8551-100B	WASHER 7/16 EXTERNAL SEMS
8551-100C	NUT HEX BR 7/16-20 LOW PROF
8551-30	CONNECTOR BRASS
8706-102	REDUCER ADAPTER
8706-111	SCREW NY
8707-3	SCREW HEX 10-32X5/16
8710-10	NUT HEX BR 7/16-20 X 1/8
8812-57	FITTING UNION 1/4 X 1/4
8861-16	NUT 6-32
8861-23	SCREW PHL 8X3/8
8942-92	NUT KEP 8-32 SS
9012-24	TEE BRS 3/8NPTX7/16-20X7/16-20

BL9105 SATELLITE 1-3/4 GALLON

PART NUMBER	DESCRIPTION
ELEMENTS:	
8572-18	ELEM 120V 100W
SWITCHES (ROCKER & TOGGLE):	
6710-23	SWITCH ON OFF 120V BLACK
MISC. ELECTRICAL:	
8841-8	CORD & CAP ASSY
MISC. MECHANICAL:	
8033-55	LEG LEVELER PLATED
82551	LABEL SATELLITE FRONT SS
83863	TANK LID ASSY, SRL-DP
84105	LABEL SATELLITE SRL-SB
84326	HANDLE FAUCET GUARD
8600-17	CAP SHIELD VENT HL
8600-20	SHIELD 10 GAUGE
8600-24	SHANK
8700-25 L	SEAT CUP TEA DISP FAUCET
8703-26	RETAINER DISC HTR
8705-11F	FAUCET ONLY
9102-22	BACK COVER BASE
9102-49	BRKT FAUCET SUPPORT
9105-11	HANDLE RECESSED
9105-15	BRKT FAUCET GUARD
9105-2	COVER SATELLITE 9102A
9105-20	FAUCET POLY SG 10IN
9105-25	HANDLE FAUCET ORANGE
9105-5	BRKT LATCH SAT COVER
HARDWARE:	
18-126	NUT HEX 1/4-20
35-210	STRAIN RELIEF LQ TIGHT
7200-6X	SCREW PAN SLT ZI 8-32 X 3/8
8201-5	NUT HEX 10-24
8700-25 J	WASHER UPPER TUBE
8705-11 B	WASHER 79ES GASKET W/1/16H
8861-23	SCREW PHL 8X3/8
9105-17	WASHER BELLEVILLE
ACCESSORIES:	
8763-8	LABEL 9106

BL9105DP SATELLITE HEATED

PART NUMBER	DESCRIPTION
MISC. ELECTRICAL:	
83172	RECEPTACLE PIN WIRED ASSY
MISC. MECHANICAL:	
82559	INSULATION LYTHERM TANK WRAP
83057	BASE POLYPROP. INJECT. MOLD
83092	DOOR DECAF & FRAME 9105DP
83095	HANDLE GUARD FAUCET W/SCREWS
83099	HANDLE SATELLITE W/SCREWS
83112	FAUCET W/SG 10 IN 9105DP GLASS
83114	ELEM HTR SILICON 45W W/TAPE
83117	INSULATION LYTHERM TANK BTM
8600-17	CAP SHIELD VENT HL
8600-20	SHIELD 10 GAUGE
8700-25 L	SEAT CUP TEA DISP FAUCET
8705-1	SPACER TANK COVER SET
8705-11 C	TUBE SIGHT-GLASS 10IN
8705-26	SEAL DRAIN FITTING
8705-5	RETAINER SPRING
8705-6	BLOCK LOCATING
HARDWARE:	
D 20002-3	SCREW PAN PHL SS 10-32 X 5/16
7200-6X	SCREW PAN SLT ZI 8-32 X 3/8
8600-26	C RING
8600-27	NUT WNG #17 ANYB
8700-25 H	WASHER LOWER TUBE
8700-25 J	WASHER UPPER TUBE
8705-33	O-RING
8705-37	SCREW TRS 8-32X5/8
8705-7	SEAL LOCATING BLOCK
8942-92	NUT KEP 8-32 SS
ACCESSORIES:	
83132	LABEL CAUTION "DO NOT IMMERSE"
9105-2	COVER SATELLITE 9102A

BL8356BLT BREWER TEA 8356BLT

PART NUMBER	DESCRIPTION
ELEMENTS:	
9102-9	ELEM 120V 1675W
CONTROLS (THERMOSTATS & INFINITE SWITCHES):	
8043-83	THERMO HI LIMIT
82216	THERMO W/36 CAPILLARY
HARDWARE FOR ELEMENTS AND THERMOSTATS:	
8512-41	WASHER SEAL THERMO 5/16 OD
SWITCHES (ROCKER & TOGGLE):	
82214	SWITCH TANK HTR INDP LAMP
8707-55	BREW SWITCH ROCKER
8812-40	SWITCH NORM ON-MOM OFF
MISC. ELECTRICAL:	
82220	TIMER DELAY 120V 0-60 SEC
82244	TIMER 12MIN 2/3 5 6 FACE PLATE
8718-31	LIGHT PILOT GREEN 125V
MISC. MECHANICAL:	
8043-11	ELBOW OUTLET
8043-12	GASKET COVER TANK
8043-15	TUBE VENT
8043-30	GASKET ELEM HTG
8043-5	STRAP HOLD DOWN
81732	LEG ASSY LEVELING
82186	DISC SPRAY HEAD EXTRUDED
82199	FILTER W/ SHUTOFF HD QC4-BH
82206	BODY WLD ASSY BLT36
82211	BASE SUB ASSY BLT36
82215	GASKET SPRAY HEAD 1.5 ID
82223	VALVE SOLENOID 120V .6 GPM
82223A	WASHER FLOW .6 GPM
82224	VALVE SOLENOID 120V .15 GPM
82224A	WASHER FLOW .15 GPM
82225	PLUMBING ASSY BLT36
82239	CAP LEG VINYL
82245	STRAINER WATER NSF
82269	TUBE WATER OUTLET .312 ID SIL
82388	TUBE FILL 90 DEG BEND W/BEAD
8541-120CS	COIL SOL 120V
8541-120JS	KIT SOL REPAIR
8541-120K	REPAIR KIT SOL VALVE
8596-4	CORD ASSY 8572
8600-6	COVER 3G DISP 8799
8601-5	COVER 5G DISPENSER
8706-20	TUBE VENT LONG
8706-9	RACK WIRE BREW CHAMBER
8707-2	HANDLE BLACK
8707-3	SCREW HEX 10-32X5/16
8746-34	TANK ASST WATER TEA BREWER
8746-38	TUBE OUTLET WATER 6 1/4 LG
8781-32	ELBOW 1/8MPT X1/4FL
8806-50	COVER FORMED COMPLETE 8806
8812-41	OUTLET ELBOW ASSY TEA BREWER
8812-49	TUBE CONNECTOR 1IN
8812-57	FITTING UNION 1/4 X 1/4
8812-70	WASHER WATER FILL PC-1M
9102-41	CHAMBER BREW ASY SAT 0.187HOLE
9102-57	CHAMBER BREW COFFEE STAMPED
9102-8	ELBOW 1/4 FPT/HOSE
HARDWARE:	
3-100	SCREW RD HD 6-32 X1/4
35-210	STRAIN RELIEF LQ TIGHT
7200-6X	SCREW PAN SLT ZI 8-32 X 3/8
7510-22	NUT HEX BR 1/2-24 PLATED
8033-55	LEG LEVELER PLATED
8033-56	CAP LEVELER
8043-28	NUT HEX BR 1/2-20
8043-47	SCREW PHL 10-32X1 LG
8043-506	NUT ACR SS 8-32
82241	FITTING HOSE CONNECT STRAIGHT
8514-88	COUPLING FLARE SWIVEL CONN
8541-120WS	WRENCH SERVICE
8543-23	NUT TNR ZI #8
8543-52	SCREW PHL SS 8X3/8
8543-69	BUSHING SHORTY HEYCO
8551-53	WASHER SS
8710-10	NUT HEX BR 7/16-20 X 1/8
8812-73	CLIP BREW BASKET
8942-92	NUT KEP 8-32 SS

BL8357 BREWER TEA 8367

PART NUMBER	DESCRIPTION
ELEMENTS:	
8043-14	ELEM 120V 1500W
82477	ELEM HTG 230V 3500W SMALL DIA
CONTROLS (THERMOSTATS & INFINITE SWITCHES):	
8043-83	THERMO HI LIMIT
82216	THERMO W/36 CAPILLARY
HARDWARE FOR ELEMENTS AND THERMOSTATS:	
8512-41	WASHER SEAL THERMO 5/16 OD
SWITCHES (ROCKER & TOGGLE):	
82214	SWITCH TANK HTR INDP LAMP
8707-55	BREW SWITCH ROCKER
8812-40	SWITCH NORM ON-MOM OFF
MISC. ELECTRICAL:	
8812-61	TIMER 8MIN
8596-4	CORD ASSY 8572
MISC. MECHANICAL:	
8033-55	LEG LEVELER PLATED
8033-56	CAP LEVELER
8043-11	ELBOW OUTLET
8043-12	GASKET COVER TANK
8043-15	TUBE VENT
8043-26	TUBE OUTLET WATER 4 3/4 LG
8043-30	GASKET ELEM HTG
8043-5	STRAP HOLD DOWN
81732	LEG ASSY LEVELING
82186	DISC SPRAY HEAD EXTRUDED
82199	FILTER W/ SHUTOFF HD QC4-BH
82215	GASKET SPRAY HEAD 1.5 ID
82223	VALVE SOLENOID 120V .6 GPM
82223A	WASHER FLOW .6 GPM
82224	VALVE SOLENOID 120V .15 GPM
82224A	WASHER FLOW .15 GPM
82225	PLUMBING ASSY BLT36
82241	FITTING HOSE CONNECT STRAIGHT
82245	STRAINER WATER NSF
82269	TUBE WATER OUTLET .312 ID SIL
82388	TUBE FILL 90 DEG BEND W/BEAD
82477	ELEM HTG 230V 3500W SMALL DIA
83271	CONTROL FLOW .528 GPM RED
83272	CONTROL FLOW .211 GPM GREEN
8541-120CS	COIL SOL 120V
8541-120JS	KIT SOL REPAIR
8541-120K	REPAIR KIT SOL VALVE
8706-20	TUBE VENT LONG
8706-9	RACK WIRE BREW CHAMBER
8707-2	HANDLE BLACK
8781-32	ELBOW 1/8MPT X1/4FL
8812-10	TANK ASSY TEA BREWER 3&5G
8812-16	COVER BASIN TEA BREWER
8812-41	OUTLET ELBOW ASSY TEA BREWER
8812-49	TUBE CONNECTOR 1IN
9102-41	CHAMBER BREW ASY SAT 0.187HOLE
9102-57	CHAMBER BREW COFFEE STAMPED
HARDWARE:	
3-100	SCREW RD HD 6-32 X1/4
35-210	STRAIN RELIEF LQ TIGHT
7200-6X	SCREW PAN SLT ZI 8-32 X 3/8
7510-22	NUT HEX BR 1/2-24 PLATED
8043-28	NUT HEX BR 1/2-20
8043-47	SCREW PHL 10-32X1 LG
8043-506	NUT ACR SS 8-32
8514-88	COUPLING FLARE SWIVEL CONN
8541-120WS	WRENCH SERVICE
8543-23	NUT TNR ZI #8
8543-52	SCREW PHL SS 8X3/8
8543-69	BUSHING SHORTY HEYCO
8551-53	WASHER SS
8707-3	SCREW HEX 10-32X5/16
8710-10	NUT HEX BR 7/16-20 X 1/8
8812-57	FITTING UNION 1/4 X 1/4
8812-70	WASHER WATER FILL PC-1M
8812-73	CLIP BREW BASKET
8942-92	NUT KEP 8-32 SS
9102-8	ELBOW 1/4 FPT/HOSE

BL8742 TEA BREWER 8742**BL8742 TEA BREWER 8742 cont'd.**

PART NUMBER	DESCRIPTION
ELEMENTS:	
8043-14	ELEM 120V 1500W
CONTROLS (THERMOSTATS & INFINITE SWITCHES):	
8043-83	THERMO HI LIMIT
8512-51	THERMO
SWITCHES (ROCKER & TOGGLE):	
8707-34	SWITCH ON OFF LIT 120V
8707-55	BREW SWITCH ROCKER
8812-79	SWITCH MOMENTARY NC
MISC. ELECTRICAL:	
6407-15	CORD & CAP ASSY 4WLS
8718-31	LIGHT PILOT GREEN 125V
MISC. MECHANICAL:	
8033-55	LEG LEVELER PLATED
8033-56	CAP LEVELER
8043-12	GASKET COVER TANK
8043-13	ELBOW SPRAYER
8043-15	TUBE VENT
8043-26	TUBE OUTLET WATER 4 3/4 LG
8043-30	GASKET ELEM HTG
8043-5	STRAP HOLD DOWN
8514-26	VALVE NEEDLE SEAT
8541-120CS	COIL SOL 120V
8541-120F	VALVE FLO CONTROL
8541-120JS	KIT SOL REPAIR
8541-120K	REPAIR KIT SOL VALVE
8541-120KS	KIT SOL REBUILD
8543-42	HEAD GASKET SPRAY
8543-44	DISC SPRAYER
8596-1240	REDUCER 1/4X1/8 FPT RED
8600-14	FAUCET SG 10IN GLASS
8600-15	FAUCET
8600-17	CAP SHIELD VENT HL
8600-20	SHIELD 10 GAUGE
8600-21	BRACE BLK SHIELD
8600-24	SHANK
8600-6	COVER 3G DISP 8799
8600-7	KNOB COVER
8601-13	SHIELD GAUGE 13IN
8601-8	FAUCET SG 13IN GLASS COMPLETE
8706-160	CONNECTOR
8706-20	TUBE VENT LONG
8707-2	HANDLE BLACK
8800-8	SHANK
8812-1	COVER RESERVOIR
8812-10	TANK ASSY TEA BREWER 3&5G
8812-16	COVER BASIN TEA BREWER
8812-17	BASIN BODY ASSY TEA
8812-24	BODY ASSY WELDED 3G TEA BREW
8812-33	ASSY FILL TUBE
8812-34	TANK COVER WELDED ASSY
8812-4	TUBE DIP
8812-41	OUTLET ELBOW ASSY TEA BREWER
8812-45	PANEL BACK 3G TEA BREW
8812-49	TUBE CONNECTOR 1IN
8812-50	VALVE INLET TUBE ASSY
8812-51	HOSE RESTRICTOR BROWN
8812-52	TANK INLET TUBE ASSY
8812-59	HOSE SPOUT CONN 12IN
8812-61	TIMER 8 MIN
8812-63	BOTTOM PNL WELDED ASSY
8812-68	BASE WELDED ASSY 8748
8812-76	CHAMBER BREW 3G TEA BREWER
8812-77	RACK WIRE FINISHED
8812-8	CHAMBER BREW S/A C/T& TEA
8942-33	GASKET

PART NUMBER	DESCRIPTION
HARDWARE:	
3-100	SCREW RD HD 6-32 X1/4
7200-6X	SCREW PAN SLT ZI 8-32 X 3/8
7510-22	NUT HEX BR 1/2-24 PLATED
8043-28	NUT HEX BR 1/2-20
8043-47	SCREW PHL 10-32X1 LG
8043-506	NUT ACR SS 8-32
8512-41	WASHER SEAL THERMO 5/16 OD
8541-120WS	WRENCH SERVICE
8541-122	SCREW PAN PHL SS 10-32X1/2
8543-23	NUT TNR ZI #8
8543-52	SCREW PHL SS 8X3/8
8543-69	BUSHING SHORTY HEYCO
8551-53	WASHER SS
8600-10	WASHER FLAT RUBBER
8600-12	WASHER FLAT NYLON
8600-25	SCREW PAN PHL SS 10-24 X 5/16
8600-26	C RING
8600-27	NUT WNG #17 ANYB
8600-28	WASHER FLAT
8600-50	NUT HEX NIBR 3/8-18 FAUCET
8700-25 H	WASHER LOWER TUBE
8700-25 J	WASHER UPPER TUBE
8700-25 K	WASHER UPPER TUBE 1/16
8700-25 L	SEAT CUP TEA DISP FAUCET
8707-3	SCREW HEX 10-32X5/16
8710-10	NUT HEX BR 7/16-20 X 1/8
8810-70	WASHER RESTRICTOR
8812-47	FITTING NYLON Y3/16
8812-5	WATER SPOUT ASSY
8812-54	FITTING NYLON Y 1/4X3/16
8812-55	TEE PIPE
8812-56	FITTING MALE HOSE BARB
8812-57	FITTING UNION 1/4 X 1/4
8812-70	WASHER WATER FILL PC-1M
8861-23	SCREW PHL 8X3/8
8942-92	NUT KEP 8-32 SS
ACCESSORIES:	
8601-5	COVER 5G DISPENSER
8747-1	COVER 5 GAL TEA DISP BREW THRU

BL8746 TEA BREWER 8746

PART NUMBER	DESCRIPTION
ELEMENTS:	
9102-9	ELEM 120V 1675W
CONTROLS (THERMOSTATS & INFINITE SWITCHES):	
8043-83	THERMO HI LIMIT
8512-51	THERMO
SWITCHES (ROCKER & TOGGLE):	
8707-34	SWITCH ON OFF LIT 120V
8707-55	BREW SWITCH ROCKER
8812-79	SWITCH MOMENTARY NC
MISC. ELECTRICAL:	
8706-160	CONNECTOR
8718-31	LIGHT PILOT GREEN 125V
8746-51	TIMER 12MIN
8942-48	CORD SET 6FT
MISC. MECHANICAL:	
8033-55	LEG LEVELER PLATED
8033-56	CAP LEVELER
8043-12	GASKET COVER TANK
8043-13	ELBOW SPRAYER
8043-15	TUBE VENT
8043-30	GASKET ELEM HTG
8043-5	STRAP HOLD DOWN
8514-26	VALVE NEEDLE SEAT
8541-120	VALVE SOL
8541-120CS	COIL SOL 120V
8541-120F	VALVE FLO CONTROL
8541-120JS	KIT SOL REPAIR
8541-120K	REPAIR KIT SOL VALVE
8541-120KS	KIT SOL REBUILD
8543-42	HEAD GASKET SPRAY
8543-44	DISC SPRAYER
8596-1240	REDUCER 1/4X1/8 FPT RED
8706-20	TUBE VENT LONG
8706-9	RACK WIRE BREW CHAMBER
8707-2	HANDLE BLACK
8746-12	BASIN TOP WELDED
8746-13	BASIN BODY ASSY 8746
8746-16	WATER SPOUT ASSY
8746-27	CAP END LEG PK4
8746-28	LEG LF 8764
8746-29	LEG RT 8764
8746-30	BASE STAND 8764
8746-34	TANK ASST WATER TEA BREWER
8746-38	TUBE OUTLET WATER 6 1/4 LG
8746-50	TUBE ASSY INLET VALVE
8746-59	SPOUT CONN HOSE 8.5
8747-8	LABEL FR LUZIAN
8812-34	TANK COVER WELDED ASSY
8812-41	OUTLET ELBOW ASSY TEA BREWER
8812-49	TUBE CONNECTOR 1IN
8812-760	CHAMBER BREW TEA STAMPED
8812-80	CHAMBER BREW ASY 5&6G T-BREW
8942-33	GASKET
HARDWARE:	
D 20002-3	SCREW PAN PHL SS 10-32 X 5/16
3-100	SCREW RD HD 6-32 X1/4
35-210	STRAIN RELIEF LQ TIGHT
7200-6X	SCREW PAN SLT ZI 8-32 X 3/8
7506-39	SCREW PAN PHL SS 8-32 X 1/2
7510-22	NUT HEX BR 1/2-24 PLATED
8043-28	NUT HEX BR 1/2-20
8043-47	SCREW PHL 10-32X1 LG
8043-506	NUT ACR SS 8-32
8512-41	WASHER SEAL THERMO 5/16 OD
8541-120WS	WRENCH SERVICE
8543-23	NUT TNR ZI #8
8543-52	SCREW PHL SS 8X3/8
8543-69	BUSHING SHORTY HEYCO
8551-53	WASHER SS
8707-3	SCREW HEX 10-32X5/16
8710-10	NUT HEX BR 7/16-20 X 1/8
8810-70	WASHER RESTRICTOR
8812-47	FITTING NYLON Y3/16
8812-54	FITTING NYLON Y 1/4X3/16
8812-55	TEE PIPE
8812-57	FITTING UNION 1/4 X 1/4

BL8746 TEA BREWER 8746 cont'd.

PART NUMBER	DESCRIPTION
HARDWARE CONT'D:	
8812-70	WASHER WATER FILL PC-1M
8812-73	CLIP BREW BASKET
8942-92	NUT KEP 8-32 SS

BL8699 TEA DISPENSER 3-5 GAL

PART NUMBER	DESCRIPTION
MISC. MECHANICAL:	
8600-14	FAUCET SG 10IN GLASS
8600-15	FAUCET
8600-17	CAP SHIELD VENT HL
8600-20	SHIELD 10 GAUGE
8600-21	BRACE BLK SHIELD
8600-24	SHANK
8600-7	KNOB COVER
8601-13	SHIELD GAUGE 13IN
8601-14 A	SIGHT TUBE 13IN GLASS
8601-8	FAUCET SG 13IN GLASS COMPLETE
8700-25 L	SEAT CUP TEA DISP FAUCET
8705-11 C	TUBE SIGHT-GLASS 10IN
8800-6	FAUCET W/O SG
8800-8	SHANK
HARDWARE:	
7200-6X	SCREW PAN SLT ZI 8-32 X 3/8
8600-10	WASHER FLAT RUBBER
8600-12	WASHER FLAT NYLON
8600-25	SCREW PAN PHL SS 10-24 X 5/16
8600-26	C RING
8600-27	NUT WNG #17 ANYB
8600-50	NUT HEX NIBR 3/8-18 FAUCET
8600-9	WASHER FLAT RUBBER
8700-25 H	WASHER LOWER TUBE
8700-25 J	WASHER UPPER TUBE
8700-25 K	WASHER UPPER TUBE 1/16
ACCESSORIES:	
8600-6	COVER 3G DISP 8799
8601-5	COVER 5G DISPENSER
8742-1	LABEL COMBINATION

THIS SPACE BANK

BL8781A BREWER 8781A COFFEE/TEA

PART NUMBER	DESCRIPTION
ELEMENTS:	
8043-14	ELEM 120V 1500W
CONTROLS (THERMOSTATS & INFINITE SWITCHES):	
8043-83	THERMO HI LIMIT
8512-51	THERMO
HARDWARE FOR ELEMENTS AND THERMOSTATS:	
8512-41	WASHER SEAL THERMO 5/16 OD
SWITCHES (ROCKER & TOGGLE):	
8593-27	SWITCH TOGGLE
8707-55	BREW SWITCH ROCKER
8781-19	SWITCH TEA VOL SEL
8781-52	SWITCH COFFEE TEA 120V
8812-79	SWITCH MOMENTARY NC
MISC. ELECTRICAL:	
6407-15	CORD & CAP ASSY 4WLS
8718-31	LIGHT PILOT GREEN 125V
8781-11	TIMER DUAL C/T 120V
8781-39	LIGHT PILOT RED 125V
MISC. MECHANICAL:	
8033-55	LEG LEVELER PLATED
8033-56	CAP LEVELER
8043-10	TANK BODY
8043-11	ELBOW OUTLET
8043-12	GASKET COVER TANK
8043-13	ELBOW SPRAYER
8043-15	TUBE VENT
8043-24	TUBE INLET WATER
8043-30	GASKET ELEM HTG
8043-8	ELBOW INLET
82556	FAUCET ASSY PRESSURE N/S
8540-30	ELBOW POLYPROPELYNE
8540-4	TUBE FORMED INLET
8540-6	COIL ASSY HOT WATER
8541 WF-300	TANK COVER ASSY 8781
8541-120	VALVE SOL
8541-120CS	COIL SOL 120V
8541-120F	VALVE FLO CONTROL
8541-120JS	KIT SOL REPAIR
8541-120K	REPAIR KIT SOL VALVE
8541-120KS	KIT SOL REBUILD
8543-42	HEAD GASKET SPRAY
8543-44	DISC SPRAYER
8543-46	COVER HINGE
8551-275	KIT FAUCET REPAIR O/S H&H
8551-275 A	DISC
8551-275 B	STRAIGHTENER STREAM
8572-26	VALVE NEEDLE ASSY
8706-102	REDUCER ADAPTER
8706-30	SOLENOID VALVE ASSY 120V
8706-75	BUTTON PLUG 2IN
8706-9	RACK WIRE BREW CHAMBER
8710-10	NUT HEX BR 7/16-20 X 1/8
8781-1	TUBE WATER OUTLET
8781-37	* CLIP SPRING CLIP T-TOP
8781-45	TUBE WATER INLET 28.5IN
8781-53	TUBE UPPER COPPER
8781-54	HOSE SPOUT CONN 22IN
8781-56	TUBE LOWER COPPER
8781-65	BASIN BODY ASSY 8781A
8781-67	BASIN COVER ASSY
8812-68	BASE WELDED ASSY 8748
8812-760	CHAMBER BREW TEA STAMPED
8812-77	RACK WIRE FINISHED
9102-41	CHAMBER BREW ASY SAT 0.187HOLE
9102-57	CHAMBER BREW COFFEE STAMPED
HARDWARE:	
3-100	SCREW RD HD 6-32 X1/4
35-210	STRAIN RELIEF LQ TIGHT
7200-6X	SCREW PAN SLT ZI 8-32 X 3/8
7506-39	SCREW PAN PHL SS 8-32 X 1/2
8043-28	NUT HEX BR 1/2-20
8541-120WS	WRENCH SERVICE
8541-48 A	FITTING 90 EL BR1/4NPTX7/16-20
8541-93	FITTING INLET
8543-23	NUT TNR ZI #8
8543-49	HINGE COVER WIRE

BL8781A BREWER 8781A COFFEE/TEA cont'd.

PART NUMBER	DESCRIPTION
HARDWARE CONT'D:	
8543-52	SCREW PHL SS 8X3/8
8543-69	BUSHING SHORTY HEYCO
8543-73	SCREW PAN SLT SS 4-40 X 1
8543-74	NUT HEX 4-40
8551-100A	SEAL NEOPRENE .125X.625X1
8551-100B	WASHER 7/16 EXTERNAL SEMS
8551-100C	NUT HEX BR 7/16-20 LOW PROF
8551-200 A	O-RING 1/4IN OD
8551-200 B	O-RING 5/16IN OD
8551-200 C	O-RING 3/8IN OD
8551-200 E	TOOL ADAPTOR
8551-30	CONNECTOR BRASS
8551-35	FITTING INLET T
8596-1240	REDUCER 1/4X1/8 FPT RED
8706-97	FITTING UNION TEE
8707-3	SCREW HEX 10-32X5/16
8810-70	WASHER RESTRICTOR
8812-5	WATER SPOUT ASSY
8812-55	TEE PIPE
8812-57	FITTING UNION 1/4 X 1/4
8812-76	CHAMBER BREW 3G TEA BREWER
8861-23	SCREW PHL 8X3/8
8881-8	WASHER FLAT .515X.875X.031
8941-20	FITTING ADAPTER
8941-21	NUT BR 7/16-20
8942-92	NUT KEP 8-32 SS

BL8781BC BREWER COFFEE/TEA**BL8781BC BREWER COFFEE/TEA cont'd.**

PART NUMBER	DESCRIPTION
ELEMENTS:	
8716-1	ELEM 240V 3500W
CONTROLS (THERMOSTATS & INFINITE SWITCHES):	
8512-51	THERMO
8552-50	THERMO HI LIMIT RESET 240V
SWITCHES (ROCKER & TOGGLE):	
8528-40	SWITCH ROCKER 240V
8707-55	BREW SWITCH ROCKER
8781-19	SWITCH TEA VOL SEL
8781-52	SWITCH COFFEE TEA 120V
MISC. ELECTRICAL:	
51157	LIGHT SIGNAL RED 240V
81829	CORD ASSY 8781BC 240V
8738-2	LIGHT PILOT GREEN 250V
8781-12	TIMER DUAL C/T 240V
MISC. MECHANICAL:	
8033-55	LEG LEVELER PLATED
8033-56	CAP LEVELER
8033-60	BUTTON PLUG 3/8 DIA
8043-10	TANK BODY
8043-11	ELBOW OUTLET
8043-12	GASKET COVER TANK
8043-13	ELBOW SPRAYER
8043-15	TUBE VENT
8043-24	TUBE INLET WATER
8043-30	GASKET ELEM HTG
8043-8	ELBOW INLET
80625	BRKT MTG SUB ASSY
81773	BRACKET SOLENOID 8781BC
81774	PANEL FRONT 8781BC
81776	ADAPTOR SHELF 8781BC
81818	TUBE ASSY STR 8781BC
81824	MAGNET 25LB 8781BC
81825	TUBE LOWER COPPER 8781BC
81826	BASIN BODY ASSY 8781BC
82556	FAUCET ASSY PRESSURE N/S
8514-68	COVER TANK
8540-4	TUBE FORMED INLET
8540-6	COIL ASSY HOT WATER
8541-120F	VALVE FLO CONTROL
8541-120JS	KIT SOL REPAIR
8541-120K	REPAIR KIT SOL VALVE
8541-120KS	KIT SOL REBUILD
8543-42	HEAD GASKET SPRAY
8543-44	DISC SPRAYER
8543-46	COVER HINGE
8543-49	HINGE COVER WIRE
8551-275	KIT FAUCET REPAIR O/S H&H
8551-275 A	DISC
8551-275 B	STRAIGHTENER STREAM
8572-26	VALVE NEEDLE ASSY
8706-75	BUTTON PLUG 2IN
8706-9	RACK WIRE BREW CHAMBER
8718-48	BRKT HI LIMIT
8726-1	VALVE SOLENOID 240V
8781-1	TUBE WATER OUTLET
8781-45	TUBE WATER INLET 28.5IN
8781-53	TUBE UPPER COPPER
8781-54	HOSE SPOUT CONN 22IN
8781-67	BASIN COVER ASSY
8812-5	WATER SPOUT ASSY
8812-68	BASE WELDED ASSY 8748
8812-76	CHAMBER BREW 3G TEA BREWER
8812-760	CHAMBER BREW TEA STAMPED
8812-77	RACK WIRE FINISHED
8873-12	ELBOW MALE
9102-41	CHAMBER BREW ASY SAT 0.187HOLE
9102-57	CHAMBER BREW COFFEE STAMPED
HARDWARE:	
3-100	SCREW RD HD 6-32 X1/4
57748	FITTING CONDUIT STRAIGHT 1/2IN
7506-39	SCREW PAN PHL SS 8-32 X 1/2
8043-28	NUT HEX BR 1/2-20
8512-41	WASHER SEAL THERMO 5/16 OD
8541-120WS	WRENCH SERVICE
8541-48 A	FITTING 90 EL BR1/4NPTX7/16-20

PART NUMBER	DESCRIPTION
HARDWARE CONT'D:	
8541-93	FITTING INLET
8543-23	NUT TNR ZI #8
8543-52	SCREW PHL SS 8X3/8
8543-69	BUSHING SHORTY HEYCO
8543-73	SCREW PAN SLT SS 4-40 X 1
8543-74	NUT HEX 4-40
8551-100A	SEAL NEOPRENE .125X.625X1
8551-100B	WASHER 7/16 EXTERNAL SEMS
8551-100C	NUT HEX BR 7/16-20 LOW PROF
8551-200 A	O-RING 1/4IN OD
8551-200 B	O-RING 5/16IN OD
8551-200 C	O-RING 3/8IN OD
8551-200 E	TOOL ADAPTOR
8551-30	CONNECTOR BRASS
8551-35	FITTING INLET T
8596-1240	REDUCER 1/4X1/8 FPT RED
8706-102	REDUCER ADAPTER
8706-97	FITTING UNION TEE
8707-3	SCREW HEX 10-32X5/16
8710-10	NUT HEX BR 7/16-20 X 1/8
8810-70	WASHER RESTRICTOR
8812-55	TEE PIPE
8812-57	FITTING UNION 1/4 X 1/4
8861-23	SCREW PHL 8X3/8
8881-8	WASHER FLAT .515X.875X.031
8941-20	FITTING ADAPTER
8941-21	NUT BR 7/16-20
8942-92	NUT KEP 8-32 SS

BLOMAX E-MAX BREWERS

PART NUMBER	DESCRIPTION
ELEMENTS:	
83518	ELEM HEATING 1500W
83519	ELEM HEATING 1800W
83748	ELEM HEATING 3200W
84008	ELEM HEATING 1500/3200W
84009	ELEM HEATING 1800/3200W
8572-18	ELEM 120V 100W
CONTROLS (THERMOSTATS & INFINITE SWITCHES):	
83949	THERMO HI LIMIT BLACK EMAX
8552-50	THERMO HI LIMIT RESET 240V
SWITCHES (ROCKER & TOGGLE):	
82936	SWITCH ROCKER ON-OFF CE
83763	SWITCH PLUG
MISC. ELECTRICAL:	
21671	CORD 125V 15A 5-15P 14/3 6FT
6407-15	CORD & CAP ASSY 4WLS
83474	BOARD SET, CONTROL
83475	HEAT SINK & TRIAC ASSY
83480	THERMISTOR 5 1/2
83481	OVERLAY DECAL KEYPAD DECANter
83521	PROBE ASSY WATER LEVEL
83533	HARNESS WIRE WATER LEVEL PROBE
83534	WIRE HARNESS MAIN
83586	OVERLAY DECAL KEYPAD THERMAL
83820	BOARD SET CONTROL VFD
83823	BOARD SET CONTROL
84357	BOARD WATER LEVEL SENSOR RETRO
84384	OVERLAY KEYPAD UNITED DAIRY
84551	BOARD SET CUSTOM PROGRAM UDF
8552-18	TERM BLOCK
8700-196	HOLDER CABLE
MISC. MECHANICAL:	
500872	LABEL HOT SURFACE IEC STD 417
51040	GROMMET INSULATION 7/8D
63046	PLUG HOLE 1IN
8043-11	ELBOW OUTLET
81732	LEG ASSY LEVELING
82115	GROMMET 1/4 ID
82196	FILTER CARTRIDGE BH
82215	GASKET SPRAY HEAD 1.5 ID
82486	LABEL CAUTION HOT LIQUID
82580	KIT REPAIR FAUCET 8783-1 W/HDL
82681	WASHER FLT 15/32X1 1/8 X062 SS
82727	DISC SPRAY HEAD EMBOSSED
83152	ELBOW SPRAYER 1/4 ID
83271	CONTROL FLOW .528 GPM RED
83384	TUBE SPRAY HEAD 2 3/8 LG
83388	VALVE BYPASS ADJUSTABLE BREW
83439	VALVE SOLENOID SINGLE
83490	WELDMENT UPPER HOUSING
83499	GASKET TANK COVER
83500	TANK ASSY 8 QT
83501	EYELET VENT TUBE
83504	COVER ASSY TANK
83523	VALVE BALL
83525	FILTER HEAD WATER
83528	CONTROL FLOW .66 GPM
83530	ACCESS PANEL LOWER HOUSING
83532	SLEEVE WATER LEVEL PROBE
83537	TUBE SILICONE 9" LG
83538	TUBE SILICONE 10" LG
83539	TUBE SILICONE 3.8" LG
83540	TUBE SILICONE 23" LG
83543	TUBE ASSY WATER FILTER
83571	INSERT BYPASS HEAD SS2
83612	VALVE SOLENOID ASSLY
83619	KIT WATER FILTER ASSY EMAX
83726	UPPER HOUSING COVER ASSY
83727	PANEL UPPER FRONT
83729	TUBE SILICONE 15" .312 ID
83753	TANK ASSEMBLY 240V
83764	PLATE BOTTOM
83810	BRACKET POSITIONING
83900	ASSY WATER INLET
83904	CONTROL FLOW .343 GPM
83932	ACCESS PANEL LOWER HOUSING

BLOMAX E-MAX BREWERS cont'd.

PART NUMBER	DESCRIPTION
MISC. MECHANICAL CONT'D:	
83936	KIT WATER FILTER ASSY LEFT
84010	TANK ASSY DUAL VOLTAGE
84063	GROMMET .510 DIA-1/4 HOLE
84150	KIT, E-MAX PROGRAMMER
84571	RETRO-KIT SOLENOID 120V SINGLE
85218	PLASTIC SOLENOID VALVE KIT
85219	SCREEN STRAINER VALVE
8541-201	LABEL CAUTION HOT DECANter
8543-CT	TAG CAUTION 120V 15A
8543-42	HEAD GASKET SPRAY
8700-16	PLATE COVER WARMER BLACK
8705-36	PLUG BUTTON 7/8IN
8707-6	CHAMBER BREW
8783-1	FAUCET HOT WATER
8942-6B	CHAMBER BREW BLACK
9012-6	PANEL LOWER FR
HARDWARE:	
D 20002-3	SCREW PAN PHL SS 10-32 X 5/16
3-304	SCREW 8-32X5/8
35-210	STRAIN RELIEF LQ TIGHT
60680	NUT KEP SS 10-32 PK10
63201	SPACER 3/8DX5/16
7200-6X	SCREW PAN SLT ZI 8-32 X 3/8
7506-30	SCREW 8-32X3/8 TAPG
8043-28	NUT HEX BR 1/2-20
82148	WASHER LOCK INT 1/2 ID SS
83147	WASHER GYLON 1/2 ID 3/4 OD
83506	RETAINING CLIP TANK LID
83516	FITTING W/EXTENSION
83526	FITTING MALE 1/4 X 3/8
83745	7/16-20 FEMALE X 7/16-20 MALE
8543-23	NUT TNR ZI #8
8543-52	SCREW PHL SS 8X3/8
8543-69	BUSHING SHORTY HEYCO
8543-80	CLIP MTG
8942-92	NUT KEP 8-32 SS

BL8553 WARMER 8553 - 8554**BL8841 SINGLE WARMER TIP SW**

PART NUMBER	DESCRIPTION
ELEMENTS:	
8043-14	ELEM 120V 1500W
8572-18	ELEM 120V 100W
8875-148	ELEM WARMER FLAT 120V
SWITCHES (ROCKER & TOGGLE):	
8554-5	* SWITCH 3POSITION
8596-43	SWITCH ON OFF LIT 120V WHITE
MISC. ELECTRICAL:	
6407-15	CORD & CAP ASSY 4WLS
8841-8	CORD & CAP ASSY
MISC. MECHANICAL:	
8033-55	LEG LEVELER PLATED
8033-56	CAP LEVELER
8553-50	WARM TOP
8553-52	BODY DBL STEP-UP WARMER 120V
8553-53	COVER BACK 8553
8875-149	PLATE WARMER COVER BRN
HARDWARE:	
18-84	NUT HEX 8-32X1/8
7506-30	SCREW 8-32X3/8 TAPG
8543-23	NUT TNR ZI #8
8543-80	CLIP MTG
8861-23	SCREW PHL 8X3/8

PART NUMBER	DESCRIPTION
ELEMENTS:	
8875-127	ELEM WARMER (TS MOD)
SWITCHES (ROCKER & TOGGLE):	
8861-35	PIN SWITCH
MISC.	
ELECTRICAL:	
8841-10	LIGHT PILOT RED 125V
8841-8	CORD & CAP ASSY
MISC. MECHANICAL:	
8841-4	PLATE BOT 1-MMR
8841-6	WARM BODY ASSY 8851
8842-4	PLATE BOT 8842
8861-18	BUMPERS RUBBER BLACK
8861-19	FERRULE EYELET
8861-36	PLATE COVER
8861-38	BRKT WARMER MTG ASSY 120V
HARDWARE:	
18-84	NUT HEX 8-32X1/8
3-93	SCREW 8-32X5/16
616-5	SCREW 6-32X3/4
8543-23	NUT TNR ZI #8
8861-16	NUT 6-32
8942-20	SCREW 8X5/8
8942-92	NUT KEP 8-32 SS

BL8852 WARMER 8852/8853

PART NUMBER	DESCRIPTION
ELEMENTS:	
8875-148	ELEM WARMER FLAT 120V
SWITCHES (ROCKER & TOGGLE):	
6710-23	SWITCH ON OFF 120V BLACK
8563-110	SWITCH ON OFF LTD BLACK 240V
MISC. ELECTRICAL:	
35-101	TERM FEMALE INS 1/4
80017	CORD SET 6FT
8852-500	WIRE SET DBL WARMER 8852/53
8861-12	CORD & CAP
MISC. MECHANICAL:	
8043-20	BRKT WARMER MTG FLAT 120/240V
82486	LABEL CAUTION HOT LIQUID
8700-16	PLATE COVER WARMER BLACK
8810-22	LEG SQ RUBBER ADH
8842-4	PLATE BOT 8842
8852-3	BODY ASSY DOUBLE WRMR
8861-18	BUMPERS RUBBER BLACK
8861-19	FERRULE EYELET
8875-149	PLATE WARMER COVER BRN
HARDWARE:	
3-93	SCREW 8-32X5/16
35-210	STRAIN RELIEF LQ TIGHT
8543-23	NUT TNR ZI #8
8942-20	SCREW 8X5/8
8942-92	NUT KEP 8-32 SS

BL8719 COFFEE REFILL CENTER

PART NUMBER	DESCRIPTION
MISC. ELECTRICAL:	
81022	PIN TERMINAL 12G MALE
MISC. MECHANICAL:	
8853-1	WARM TOP ASSY 8853

PL712 1222, 1225, 1226

PART NUMBER	DESCRIPTION
CONTROLS (THERMOSTATS & INFINITE SWITCHES)	
503141	CONTROL WATER LEVEL 208/240V
66604	CONTROL WATER LEVEL 120V
8043-83	THERMO HI LIMIT
8552-50	THERMO HI LIMIT RESET 240V
86280	T-STAT (REPLACES 8512-51)
SWITCHES (ROCKER & TOGGLE):	
502541	SWITCH, PWR, 25A, 250V 50/60HZ
MISC. ELECTRICAL:	
20141	CORD SET NEMA 6-20P REF 35259
50516	LIGHT SIGNAL AMBER 240V
505295	SWITCH ROCKER 250V 10A GRN LT
50789	STRAIN RELIEF 240V USE 65788
55697	LIGHT PILOT GREEN 250V 1/3W
61778	* LIGHT AMBER 125V
85746	ASSY PROBE LIQUID LEVEL
85760	SOLENOID SINGLE 220/240V 1 GPM
8718-31	LIGHT PILOT GREEN 125V
MISC. MECHANICAL:	
8043-11	ELBOW OUTLET
8043-13	ELBOW SPRAYER
8043-30	GASKET ELEM HTG
82390	GROMMET .375 ID TRANSLUCENT
82486	LABEL CAUTION HOT (YELLOW/BLK)
83612	VALVE SOLENOID ASSLY
86597	FAUCET & SHANK ASSY PLASTIC RED
HARDWARE:	
3-100	SCREWS (SERV) 6-32X1/4 RD HD
51053	NUTS (SERV) 8-32 KEPS PK 100
55736	NUTS (SERV) 8-32 KEPS GREEN PK10
63201	SPACER .174IDX.312ODX.375L PK4
8074-C	CARTON 8774
83532	SLEEVE WATER LEVEL PROBE
83540	TUBE SILICONE 23" LG
84212	HOSE CLAMP 1 1/16 PLASTIC
85089	ACCESS DOOR PLASTIC
8543-CT	TAG CAUTION 120V 15A
85609	TUB 3/8 X 1/2 LG STN STL
86782	SLEEVE THERMOSTAT BULB 18.50
8705-36	PLUG BUTTON 7/8 IN
8705-37	SCREWS (SERV) 8/32X5/8 SL TR SS
87263	SLEEVE THERMOSTAT BULB 14.75
8942-92	NUTS (SERV) 8/32 KEPS SS
ACCESSORIES:	
21657	FEET RUBBER PK OF 4
505148	FOOT 1/2 BLACK RUBBER 4PK

**ACCESSORIES
AND
SERVICE PARTS
LIST PRICING**

PART NO	DESCRIPTION	LIST
1072-10	KEYPAD KOFFEE KING 3 STATION	55.00
1072-225	BOARD POWER DECANTER BREWER NS	117.30
1078-226	BOARD CONTROL THERMAL TIMER	188.50
1080-1	KEYPAD THERMAL BREWER O/S	80.00
1080-10	KEYPAD GOURMET 1000 THERMAL BR	56.00
1080-225	BOARD POWER THERMAL BREWER N/S	90.00
1080-226	BOARD CONTROL THERM DECANT BRW	80.00
1080-300	JUMPER 2 PIN (TIMER EXTENDER)	6.00
1080-31	GROMMET PROBE	5.30
1080-41	STANDOFF PLASTIC	1.30
18-126	NUTS(SERV)1/4-20	0.50
18-84	NUTS(SERV)8-32X1/8HEX MS NI/WX	0.80
20385A	DRAIN VALVE EXT KIT	120.00
21705A	DRIP TRAY H-63 65 HOTPLATE	30.00
3-100	SCREWS(SERV)6-32X1/4 RD HD	0.70
3-304	SCREWS(SERV)8-32X5/8 SL RD NI	0.30
35-101	TERM FEMALE INS 1/4	0.50
35-106	TERM MALE 1/4	0.60
35-210	STRAIN RELIEF LQ TIGHT	7.00
35-212	STRAIN RELIEF SMALL	1.60
3-822	SCREWS(SERV)5/16-18X1"	0.50
616-5	SCREWS(SERV)6-32X3/4 SL RD ZI	0.40
6710-23	SWITCH ON OFF 120V BLACK	5.50
7200-6X	SCREWS(SERV)8-32X3/8 SL PN ZI	0.60
7506-30	SCREWS(SERV)8-32X3/8 TAPG	0.40
7506-39	SCREWS(SERV)8-32X1/2 PH PAN SS	0.50
7510-22	NUTS(SERV)1/2-24 HEX BR PLATED	4.70
7775-1	GASKET PACKING AIRPOT	6.30
7775-10	VALVE ASSY AIRPOT	38.70
7775-11	SEAL RUBBER AIRPOT	13.70
7775-15	GASKET GLASS LINER AIRPOT	14.00
7775-18	BOTTOM AIRPOT	41.10
7775-19	LEG BASE AIRPOT	80.00
7775-2	LINER GLASS AIRPOT	104.20
7775-21	COVER VALVE ASSY AIRPOT	7.40
7775-22	PLATE BOTTOM AIRPOT	74.00
7775-23	RING SWIVEL AIRPOT	5.90
7775-3	RING AIRPOT	9.80
7775-4	TUBE 'L' AIRPOT TOP	7.10
7775-5	TUBE SIGHT GLASS AIRPOT	8.20
7775-7	LEVER DISPENSING AIRPOT	12.50
7775-8	TUBE 'L' AIRPOT BOTTOM	12.50
7775-9	PIPE JOINT AIRPOT	6.30
8031-4	SWITCH WHITE BREW 125V 10A	5.00
8033-60	BUTTON PLUG 3/8 DIA	0.90
8043-10	TANK BODY	60.40
8043-11	ELBOW OUTLET	5.00
8043-12	GASKET COVER TANK	5.00
8043-13	ELBOW SPRAYER	5.10
8043-14	ELEM HEATING 120V 1500W	32.00
8043-15	TUBE VENT	5.10
8043-20	BRKT WARMER MTG FLAT 120/240V	5.50
8043-22	THERMO TESTED OLD STYLE BREWER	73.20

PART NO	DESCRIPTION	LIST
8043-225	KIT THERM CONVER	22.20
8043-24	TUBE INLET WATER	14.30
8043-26	TUBE OUTLET WATER 4 3/4 LG	2.30
8043-28	NUTS(SERV)1/2-20 HEX BR	1.20
8043-30	GASKET ELEM HTG	1.20
8043-47	SCREWS(SERV)10-32X1"PH PAN SS	0.50
8043-5	STRAP HOLD DOWN	5.70
8043-506	NUTS(SERV)8-32 ACORN	1.10
8043-8	ELBOW INLET	6.50
8043-83	THERMO HI LIMIT	6.00
8043-93	ELEM HEATING 120V 1200W	25.20
8043-FS	FOAM SET 8543	15.40
8053 S-58	CORD & CAP EURO-3C	20.70
8053-1 B	ELEM 240V 1800W	84.90
8073-C	CARTON 19 7/8X19 7/8X19 7/8	9.40
8073-FS	FOAM INSERT SET	30.70
8074-C	CARTON 8774	13.30
82223A	WASHER FLOW .6 GPM	12.80
82224A	WASHER FLOW .15 GPM	15.30
82387M	BREW CHAMBER MOLDED BLACK .250	22.00
83101N	BREW CHMBR MLDED NATURAL .187	38.00
83155NS	LID ASSY 8884 (NEW STYLE)	68.00
83160NS	PUMP ASSY 8884 (NEW STYLE)	57.60
83636R	BOARD POWER REFURBISHED	51.40
# 83820R	BOARD SET CONTROL VFD REFURB	215.00
8415-10	LABEL BASIN SUPERIOR	45.40
8418-10	LABEL BASIN SUPERIOR TEA	13.80
8425-20	LABEL BASIN SUPERIOR 8425	38.80
8432-1	LABEL BASIN FR ARA	6.10
84323R	POWER & CONTROL BD SS2 REFURB	300.00
850-6	KNOB TOP COVER HD	1.70
8512-41	WASHER SEAL THERMO 5/16 OD	1.20
8512-45	COVER TANK	30.00
8512-45A	COVER TANK UNPLATED UNASSEMBLE	22.90
8512-56	BASIN COVER ASSY 8540 SERIES	51.50
8514-26	VALVE NEEDLE SEAT	9.80
8514-68	COVER TANK	44.70
8514-88	COUPLING FLARE SWIVEL CONN	4.70
8516-100	PANEL FR #1	131.90
8516-102	ELBOW 3/8M X 3/8F ST	5.20
8516-130	TUBE ASSY TO FAUCET	23.40
8516-133	COVER ACCESS WIRING	12.90
8516-134	COVER ACCESS SOL	19.20
8516-142	TUBE INLET HOSE 17 1/4IN SI	10.50
8516-148	LABEL WARMER	12.40
8516-150	LEG BLACK 4IN 1/4-20 PK OF 4	30.00
8516-1500	LEG BLACK 4IN 1/4-20 1 EA	9.50
8516-22	LABEL WARMER BASIN FR RIGHT	23.40
8516-25	SWITCH LIGHTED 20A	29.80
8528-40	SWITCH ROCKER 240V	23.10
8528-75	BASE SUB ASSY 8718	62.00
8533-32	ELEM WARMER 240V 100W/220V 85W	21.60
8535-2	ELEM 230V 5500W	162.50

PART NO	DESCRIPTION	LIST	PART NO	DESCRIPTION	LIST
8539-98	BACK PNL BASIN	29.40	8543-41	LABEL BASIN FR	11.10
8539WF-3	BASIN BODY ASSY INTEG/AIRPOT	177.90	8543-42	HEAD GASKET SPRAY	3.80
8540-10	WATER FITTING ASSY	19.10	8543-44	SPRAY HEAD	3.80
8540-25	BODY & BASE ASSY 2W/A 120V	204.30	8543-45	RETAINER HEAD SPRAY	7.90
8540-3	TUBE OUTLET ASSY 10 7/16 LG	22.50	8543-48	PANEL FR	50.50
8540-30	ELBOW POLYPROPELYNE	1.30	8543-49	HINGE COVER WIRE	0.40
8540-4	TUBE FORMED INLET	6.00	8543-500	WIRE SET 8543	85.00
8540-6	COIL ASSY HOT WATER	60.00	8543-52	SCREWS(SERV)8BX3/8 PH PAN SS	0.50
8541 WF-300	TANK COVER ASSY 8781	365.30	8543-69	BUSHING SHORTY HEYCO	0.90
8541-1	LABEL BASIN FR	14.00	8543-73	SCREWS(SERV)4-40X1" SL PAN SS	0.80
8541-120	VALV SOL METAL 120V .75 GPM	114.00	8543-74	NUTS(SERV)4-40 HEX SS	0.40
8541-120CS	COIL SOL 120V	40.00	8543-80	CLIP MTG	0.70
8541-120D	KIT SOLENOID VALVE REBLDG	32.00	8543AC-1	LABEL FR 8543AC	10.10
8541-120F	VALVE FLO CONTROL	28.00	8543-CT	TAG CAUTION 120V 15A	0.40
8541-120FW	WASHER FLOW	9.50	8549 WF-300	COVER ASSY TANK	417.40
8541-120JS	KIT SOL REPAIR	43.20	8549-1	ELEM 120V 2000W	62.00
8541-120K	REPAIR KIT SOL VALVE	26.50	8549-11	STRAIN RELIEF	1.20
8541-120KS	KIT SOL REBUILD	57.30	8551-100A	SEAL NEOPRENE .125X.625X1	3.40
8541-120R	RETAINER RING	5.10	8551-100B	WASHER LOCK 7/16 EXT SEMS	0.70
8541-120WS	WRENCH SERVICE	4.50	8551-100C	NUTS(SERV)7/16-20 LOW PROF BR	4.00
8541-122	SCREWS(SERV)10-32X1/2PH PAN SS	0.50	8551-200	REPAIR KIT FAUCET	20.20
8541-151	LABEL BASIN FR BROWN	16.00	8551-200 A	O-RING 1/4IN OD	1.10
8541-155	PANEL FR 8540	44.70	8551-200 B	O-RING 5/16IN OD	1.10
8541-160	LABEL BASIN FR BLACK	12.00	8551-200 C	O-RING 3/8IN OD	1.10
8541-201	LABEL CAUTION HOT DECANter	2.40	8551-200 D	DISC SEAT	1.10
8541-21	PAN BASIN	32.60	8551-200 E	TOOL ADAPTOR	6.30
8541-300	LABEL HOT LIQUID	1.70	8551-275	KIT FAUCET REPAIR O/S H&H	21.00
8541-400	KIT PRESSURE REG	98.90	8551-275 A	DISC	1.20
8541-401	REGULATOR PRESSURE	58.00	8551-275 B	STRAIGHTENER STREAM	0.90
8541-402	GAUGE PRESSURE	47.80	8551-28	BREAKER CIRCUIT	17.60
8541-403	COUPLING 1/4MP X 1/4MFLARE	1.60	8551-30	CONNECTOR BRASS	2.30
8541-46	HOSE INLET WATER 13IN	7.00	8551-35	FTG INLET T	14.40
8541-48 A	FTG 90 EL BR1/4NPTX7/16-20	5.10	8551-50	LABEL BASIN FR	19.30
8541-500	WIRE SET 8540 8541	45.90	8551-53	WASHER SS	0.50
8541-91 C	SPRING ARMATURE	1.30	8552-18	TERM BLOCK	11.00
8541-91 D	ARMATURE	3.50	8552-180	TANK COVER SUB ASSY AUTO	35.20
8541-91 E	DIAPHRAGM	7.80	8552-50	THERMO HI LIMIT RESET 240V	17.70
8541-91 N	WASHER FLOW	8.30	8553-11	BOTTOM PLATE 8553	11.20
8541-93	FTG INLET	8.00	8553-3	BRKT WARMER TOP	34.50
8541-C	CARTON 20 5/8X11 5/5X19 13/16	6.50	8553-50	WARM TOP	38.60
8541-C2	INSERT BASKET BREW	1.50	8553-52	BODY DBL STEP-UP WARMER 120V	132.00
8542-100	LABEL BASIN FR BROWN	11.70	8553-53	COVER BACK 8553	15.00
8542-110	LABEL BASIN FR BLACK 8542	11.40	8563-110	SWITCH ON OFF LTD BLACK 240V	5.30
8542-25	BODY & BASE ASSY 1-2W/P 120V	103.60	8563-190	LABEL BASIN FR	12.70
8542-6	BASIN COVER ASSY	40.60	8563-200	CORD & CAP AUSTRALIA	36.40
8543-1	COVER BACK 8706	17.30	8571-1	LABEL FR BROWN 8571	14.40
8543-154	LABEL BASIN FR BROWN	19.00	8571-13	BODY & BASE ASSY 3W/P 120V	270.40
8543-160	LABEL BASIN FR	17.60	8571-20	LABEL BASIN FR BLACK	12.80
8543-23	NUT TNR ZI #8	0.40	8571-3	PANEL FR	71.00
8543-29	PAN BASIN	28.50	8571-500	WIRE SET 3W/P-S	106.20
8543-300	TANK COVER ASSY	163.00	8571AC-1	LABEL BASIN FR 8571AC	12.90
8543-34	BASIN COVER ASSY 2W/A(F) EXP	51.50	8572-10	PANEL FR	62.30
# 8543-350	LABEL COFFEE DIST CORP LA	5.10	8572-110	LABEL BASIN FR BLK	11.60

* OBSOLETE PART LIMITED TO STOCK ON HAND
NORMALLY SHIPPED IN TEN DAYS

PART NO	DESCRIPTION	LIST
8572-13	BASIN BODY ASSY KK	197.70
8572-14	BODY STEP UP S/A BREWER	99.10
8572-16	WARM TOP	30.10
8572-18	ELEM 120V 100W	10.50
8572-20	INLET TUBE ASSY	19.50
8572-24	SWITCH START BREW	13.00
8572-26	VALVE NEEDLE ASSY	15.00
8572-33	BODY & BASE ASSY 3W/A(F) 120V	188.20
8572-34	DOOR ACCESS SOLENOID	9.90
8572-500	WIRE SET 3W/A STEP	58.90
8572-66	PLATE BOT SUB ASSY	18.20
8574-10	COVER BACK ELECT	19.50
8576ACF-1	LABEL BASIN FR 8576ACF	11.80
8593-27	SWITCH TOGGLE	7.30
8593-44	CAP DRAIN PLATED	5.90
8596-1240	FTG REDUCER 1/4X1/8FPT RED	1.70
8596-43	SWITCH ON OFF LIT 120V WHITE	8.60
8596-44	SWITCH ON OFF LIT 120V WHITE	7.00
8600-10	WASHER FLAT RUBBER	0.60
8600-12	WASHER FLAT NYLON	0.60
8600-14	FAUCET SG 10IN GLASS	76.40
8600-15	FAUCET SPB PLASTIC	28.00
8600-17	CAP SHIELD VENT HL	13.40
8600-20	SHIELD 10 GAUGE	19.80
8600-21	BRACE BLK SHIELD	5.40
8600-24	SHANK	32.30
8600-25	SCREWS(SERV)10-24X5/16PH PN NI	0.50
8600-26	C RING	3.80
8600-27	NUT WNG #17 ANYB	16.00
8600-27P	NUT WING #17 ANYB PLASTIC THRD	5.00
8600-28	WASHER FLAT	2.70
8600-50	NUTS(SERV)3/8-18FAUCET HEX NI	2.30
8600-6	COVER 3G DISP 8800BL MCDS ONLY	46.00
8600-7	KNOB COVER	2.80
8600-9	WASHER FLAT RUBBER	0.70
8601-13	SHIELD GAUGE 13IN	26.10
8601-14 A	SIGHT TUBE 13IN GLASS	20.90
8601-8	FAUCET SG 13IN GLASS COMPLETE	71.80
86492NS	SHOULDER & HANDLE ASSY	48.00
86666A	FILL PORT DOOR BREWERS PLASTIC	5.00
8700-16	PLATE COVER WARMER BLACK	8.50
8700-17	PLATE WARMER EMBOSSED	7.90
8700-196	HOLDER CABLE	0.50
8700-25 D	SHIELD 3/4IN OD	17.90
8700-25 H	WASHER LOWER TUBE	2.10
8700-25 J	WASHER UPPER TUBE	2.10
8700-25 K	WASHER UPPER TUBE 1/16	2.30
8700-25 L	SEAT CUP TEA DISP FAUCET	7.50
8700-377	TERM BLOCK CONTACT	20.40
8700-378	END TERMINAL BLOCK	8.50
8700-517	RELAY 30AMP	89.80
8702-15	BODY SUB ASSY 8702	406.70
8702-19	OUTLET SUB ASSY	26.70

PART NO	DESCRIPTION	LIST
8703-25	ELEM 60W	11.90
8703-26	RETAINER DISC HTR	7.20
8703-27	COVER ACCESS 8702	36.40
8703-8	SATELLITE BODY SUB ASSY 8702	240.20
8704-11	LABEL FR 8702	28.50
8704-12	LABEL RIGHT SIDE 8702	21.90
8704-13	LABEL LF SIDE 8702	21.10
8704-25	ARRESTER ASSY WATER HAMMER	62.00
8704-500	WIRE SET 8702	36.80
8704-8	HARNES WIRE UPPER 8702	89.20
8705-1	SPACER TANK COVER SET	1.00
8705-11	FAUCET ASSY W/SG 10IN GLASS	198.80
8705-11 A	SIGHT TUBE 9IN GLASS	26.80
8705-11 B	WASHER 79ES GASKET W/1/16H	5.10
8705-11 C	TUBE SIGHT-GLASS 10IN	25.00
8705-11 D	SHANK ASSEMBLY	48.40
8705-11 F	FAUCET ONLY	99.70
8705-11 G	SHIELD BASE	13.60
8705-13	BRKT HANDLE 8705	9.00
8705-18	CAP SUB ASSY 8705	68.50
8705-21	COVER SATELLITE	194.30
8705-22	SATELLITE TANK ASSY	267.20
8705-26	SEAL DRAIN FITTING	5.20
8705-33	O-RING	7.40
8705-36	PLUG BUTTON 7/8IN	2.50
8705-37	SCREWS(SERV)8-32X5/8 SL TR SS	0.90
8705-4	HANDLE SATELLITE	20.50
8705-40	TRAY DRIP STAINLESS STEEL	36.20
8705-41	BODY DRIP TRAY STAINLESS STEEL	56.40
8705-45	FOOT SATELLITE	12.00
8705-5	RETAINER SPRING	9.70
8705-6	BLOCK LOCATING	32.20
8705-60	SPACER TUBE ASSY	22.30
8706-102	FTG REDUCER ADAPTER	6.60
8706-107	CHAMBER BREW SUB ASSY	101.80
8706-109	STRAIN RELIEF 3/8IN	8.00
8706-110	FILTER PAPER 8702,04,06 CS-500	20.50
8706-111	SCREWS(SERV)NY	11.90
8706-13	THERMO ASSY	96.00
8706-133	KIT FLEX HOSE Q.C.	118.80
8706-134	STRAINER ASSY	104.40
8706-135	ADAPTER FLARE FEMALE	14.80
8706-136	TUBE ASSY FORMED	15.90
8706-138	COUPLING 1/4 IN MPT SHUT OFF	36.50
8706-14	SWITCH ACTUATOR ASSY	21.00
8706-156	COVER BACK SUB ASSY	48.90
8706-160	CONNECTOR	0.90
8706-166	BRKT RELAY MTG	27.20
8706-169B	HANDLE FAUCET RED	6.70
8706-17	TIMER 4MIN MODIFIED	93.30
8706-180	HARNES UPPER WIRE 8706	133.30
8706-181	HARNES WIRE LOWER 8702/06	163.70
8706-186	GREEN PILOT LIGHT ASSY	15.00

PART NO	DESCRIPTION	LIST	PART NO	DESCRIPTION	LIST
8706-188	TUBE CONNECT 11/16	2.80	8718-16	LABEL FR	14.90
8706-189	LIGHT PILOT RED	6.30	8718-18	TIMER COUNT 2MIN	174.70
8706-19	SWITCH SNAP ACTION MICRO	14.70	8718-2	PANEL FR	43.90
8706-20	TUBE VENT LONG	28.40	8718-21	BODY & BODY ASSY 8718	183.40
8706-200	HOSE ASSY TEST	42.90	8718-31	LIGHT PILOT GREEN 125V	5.50
8706-202	GAGE FLOW SET	54.00	8718-48	BRKT HI LIMIT	5.80
8706-205	KIT BYPASS SET	74.70	8718-5	CORD & CAP ASSY	160.00
8706-21	TUBE WATER OUTLET 24 1/4	18.60	8718-500	WIRE SET 115/230	123.60
8706-210	POLY BRAID HOSE ASSY	84.60	8718-60	PLATE BOT ASSY 8718	11.10
8706-212	LABEL QC SAT #1	20.90	8718-61	PLATE BOT	12.30
8706-22	BAR LOCATOR	109.00	8718-8	BASIN COVER ASSY MCD	72.20
8706-23	SNUBBER TUBE ASSY	15.30	8718-9	COVER BASIN PAN	10.70
8706-25	TUBE ASSY T BYPASS	51.00	8726-1	VALV SOL METAL 240V .75 GPM	124.00
8706-26	VALVE BYPASS	30.00	8726-2	RELAY 240V	97.90
8706-28	SWITCH BREW	15.00	8726-3	TIMER 4MIN 240V	143.30
8706-291	LABEL QC SAT #2	20.90	8726-4	SWITCH 240V LIGHTED	31.60
8706-3	INLET TUBE ASSY	63.60	8730-101	WASHER RUBBER RED 3/4	0.80
8706-30	VALV SOL METAL ASSY 120V .75	156.50	8730-102	GASKET SEAL HOPPER 2 1/2	1.50
8706-300	TANK COVER ASSY 240V	344.30	8730-108	PANEL BACK	23.00
8706-4	TUBE ASSY INLET FORMED	12.60	8730-116	COVER TOP GRINDER	46.70
8706-41	PLATE COVER 8706	22.20	8730-120	PANEL FR GRINDER	38.10
8706-49	WATER TANK ASSY	323.80	8730-125	FEEDWORM W/SPRING	26.00
8706-54	COVER FR SUB ASSY	129.90	8730-126 R	DISC SHEAR PKG6	3.10
8706-6	ELBOW INLET	29.60	8730-127	DEFLECTOR	24.00
8706-60	CHAMBER BREW ASSY SATELLITE	143.30	8730-130	SPRING TENSION	1.50
8706-64	SCREWS(SERV)1/4-20X1" SL PAN	1.20	8730-132	DRIVE SHEAR	5.00
8706-65	SCREWS(SERV)6-32X7/8 SL PANSS	0.30	8730-133	SPOUT	11.20
8706-68	TUBE WATER INLET	32.90	8730-135	BURR SET	158.70
8706-69	SCREWS(SERV)6-32X3/16PH PN SS	0.90	8730-137	RAIL RT BREW	19.20
8706-7	TIMER QC	342.50	8730-138	RAIL LF BREW	18.70
8706-70	CORD & CAP ASSY	146.90	8730-140	LABEL FR	22.20
8706-75	BUTTON PLUG 2IN	9.00	8730-141	PLATE ACCESS GRIND	12.80
8706-76	PLUG BOTTON 1 1/8IN	4.20	8730-142	COVER FRONT PLEXIGLASS	13.10
8706-8	COIL WATER HV BREWER TESTED	393.30	# 8730-151	SCREWS(SERV)6-32X1/2	0.30
8706-9	RACK WIRE BREW CHAMBER	42.00	8730-154	LABEL SETTING GRIND	4.70
8706-900	SUPPRESSOR NOISE	9.30	8730-155	LABEL DECAF	3.50
8706-96	KNOB THERMOSTAT	15.10	8730-157	SCREWS(SERV)8-32X3/8 SL FIL#23	0.60
8706-97	FTG UNION TEE	5.20	8730-158	SCREWS(SERV)5-40X3/16 SLRD #F	0.50
8707-129	LABEL WARNING	1.00	8730-163	BEARING BRONZE 3/4 OD	3.50
8707-2	HANDLE BLACK	7.00	8730-200	HEAD ADJUSTMENT	22.40
8707-3	SCREWS(SERV)10-32X5/16 HEX SS	1.60	8730-202A	SCREWS(SERV)INNER	16.00
8707-32	TIMER 2MIN	83.90	# 8730-203	NUTS(SERV)3/8-16 HEX JAM ZI	0.60
8707-34	SWITCH ON OFF LIT 120V	16.00	8730-208A	PLUG WOOD .375	6.10
8707-4	SUPPORT FRAME FILTER	24.00	8730-220	SWITCH BLACK BREW 125V 20A	5.70
8707-50	HOSE INLET WTR 15IN	28.70	8730-221	NUTS(SERV)8-32 HEX MS NYLOCK	2.00
8707-55	BREW SWITCH ROCKER	5.90	8730-51	CORD & CAP EURO	40.00
8707-6	CHAMBER BREW STAINLESS STEEL	50.00	8730-99	HEAD GRIND 8730	190.00
8710-10	NUTS(SERV)7/16-20X1/8 HEX BR	1.10	8730-C2	INSERT 8730	3.80
8716-1	ELEM 230V 3500W	80.00	8738-1	TIMER 2MIN 240V 9012EU 9012KO	152.60
8716-300	TANK COVER SUB ASSY AUTO	500.70	8738-2	LIGHT PILOT GREEN 250V	9.40
8717-300	TANK COVER ASSY A/F 240 3500W	316.50	8738-5	BASIN COVER ASSY 240V	289.50
8718-1	TIMER W/KNOB 2MIN 120V	84.00	8742-1	LABEL COMBINATION	8.40
8718-12	COVER BACK SUB ASSY	26.10	8742-C	CARTON 20 1/8X14 1/8X34 8742	16.70

* OBSOLETE PART LIMITED TO STOCK ON HAND
NORMALLY SHIPPED IN TEN DAYS

PART NO	DESCRIPTION	LIST	PART NO	DESCRIPTION	LIST
8742LIP-1	LABEL FR LIPTON	19.30	8781-65	BASIN BODY ASSY 8781A	220.50
87448A	ELEM WMTR II 208V 6000W	355.90	8781-67	BASIN COVER ASSY	68.30
8746-27	CAP END LEG PK4	1.70	8781-C	CARTON 8781A	18.80
8746-28	LEG LF 8764	51.00	8781-C2	INSERT 8742 3GAL	6.00
8746-29	LEG RT 8764	51.00	8781-FS	FOAM SET 8781A	18.40
8746-38	TUBE OUTLET WATER 6 1/4 LG	8.00	8783-1	FAUCET HOT WATER	56.10
8746-51	TIMER 12MIN	88.90	8783-10	PANEL FR 8783	29.50
8746-FS	FOAM SET 8746	42.10	8783-12	BASE SUB ASSY 8783MCD EXP	46.00
8747-5	BODY WELDED ASSY 8747/48	203.10	8783-13	BODY & BASE ASSY 8783MCD EXP	198.30
8747-7	PANEL BACK 8748	25.60	8783-15	PLATE BOT REAR ASSY 8783	21.80
8747-8	LABEL FR LUZIAN	19.40	8783-16	COVER BACK SOLENOID 8783	11.60
8747-C2	INSERT 8747/8748 5 GAL	9.80	8783-19	TUBE ASSY 8783	10.50
8751-11	BASIN BODY ASSY 8751/52	160.70	8783-20	TUBE ASSY 8783	9.50
8751-129	LABEL BASIN FR	15.90	8783-21	TANK COVER ASSY W/TANK 8783	436.40
8751-17	BOTTOM PLATE SUB ASSY 8751	58.20	8783-23	HOSE FAUCET HOT WATER	30.10
8751-19	COVER BACK WARMER	16.50	8783-24	LABEL BASIN FR 8783	21.10
8751-27	FTG INLET	5.20	8783-26	TUBE FILL 8783	22.70
8751-28	FTG OUTLET	3.20	8783-27	HOSE CONNECTOR	1.30
8751-30	TUBE 2 3/8 SILICONE	2.70	# 8783-31	NUTS(OBS)1/8-27STD PIPE HEX BR	0.70
8751-31	LABEL RR WARMER 8751	2.00	8783-34	TANK COVER WELDED ASSY 8783	45.30
8751-32	LABEL FR WARMER 8751	3.80	8783-5	BASIN COVER ASSY 8783MCD 240V	206.40
8751-37	SPLASHGUARD ASSY	50.70	8783-7	BASIN BODY ASSY 8783	168.40
8751-C	CARTON 26 7/8X20 1/2X24 5/8	33.20	8800-6	FAUCET W/O SG	50.00
8751-C2	INSERT 8751	6.50	8800-8	SHANK	25.50
8751-F	INSERT BOT FOAM	14.20	8806-5	COVER COVER 6GAL W/HOLE	77.00
8752-1	FORMED TUBE ASSY	7.40	8806-C	CARTON 8806	9.80
87547A	ELEM WMTR II 240V 6000W	354.80	8810-12	PLUG BUTTON DOT 1/2DIA	2.00
8760-3	PAN BASIN	59.60	8810-22	LEG SQ RUBBER ADH	0.90
8760-44	ELEM 240V 4200W	140.00	8810-70	WASHER RESTRICTOR	7.60
8766-11	CHAMBER BREW PP BLACK	8.00	8812-10	TANK ASSY TEA BREWER 3&5G	110.40
8766-11E	BREW CHAMBER PILLOW PK BLK MOD	19.00	8812-146	LABEL FR TEA BREWER	12.30
8766-2	TUBE WATER INLET HOSE 19IN	7.70	8812-15	BRKT MTG TANK	6.10
8766-C2	INSERT	10.00	8812-16	COVER BASIN TEA BREWER	69.30
8773-2	PANEL ASSY FR	51.00	8812-17	BASIN BODY ASSY TEA	157.10
8773-C2	INSERT 8774	9.80	8812-34	TANK COVER WELDED ASSY	28.40
8774-2	PANEL ASSY FR	67.40	8812-4	TUBE DIP	35.40
8774-7	BODY & BASE ASSY AIRPOT	183.90	8812-40	SWITCH NORM ON-MOM OFF	5.30
8774-8	LABEL BASIN FR	17.80	8812-41	OUTLET ELBOW ASSY TEA BREWER	42.20
8780-18	ELEM 120V 1800W TANK HTG	30.10	8812-45	PANEL BACK 3G TEA BREW	41.80
8781-1	TUBE WATER OUTLET	26.00	8812-47	FTG NYLON Y3/16	1.70
8781-11	TIMER DUAL C/T 120V	131.10	8812-49	TUBE CONNECTOR 1IN	2.30
8781-12	TIMER DUAL C/T 240V	134.00	8812-5	SPOUT WATER ASSY	64.20
8781-19	SWITCH TEA VOL SEL	9.50	8812-50	VALVE INLET TUBE ASSY	12.90
8781-32	ELBOW 1/8MPT X1/4FL	6.00	8812-51	TUBE SIL .312 ID X 1.0	3.40
8781-39	LIGHT, RED 125V USE 8706-189	6.30	8812-52	TANK INLET TUBE ASSY	8.00
8781-45	TUBE WATER INLET 28.5IN	8.50	8812-53	INSUL BARRIER FIBER	1.40
8781-46	PAN BASIN	34.90	8812-54	FTG NYLON Y 1/4X3/16	1.50
8781-51	LABEL BASIN FR 8781A	21.70	8812-55	TEE PIPE	4.50
8781-52	SWITCH COFFEE TEA 120V	36.40	8812-56	FTG MALE HOSE BARB	4.90
8781-53	TUBE UPPER COPPER	12.20	8812-57	FTG UNION 1/4 X 1/4	6.50
8781-54	HOSE SPOUT CONN 22IN	9.60	8812-59	HOSE SPOUT CONN 12IN	8.60
8781-56	TUBE LOWER COPPER	15.00	8812-61	TIMER 8MIN	88.90
8781-57	TUBE INLET FORMED	22.50	8812-63	BOTTOM PNL WELDED ASSY	27.70

PART NO	DESCRIPTION	LIST	PART NO	DESCRIPTION	LIST
8812-68	BASE WELDED ASSY 8748	76.20	8882-5	AIRPOT POURING PIPE 8883 ONLY	5.30
8812-70	WASHER WATER FILL PC-1M	1.80	8882-6	AIRPOT GASKET LINER TOP	6.00
8812-73	CLIP BREW BASKET	3.40	8882-7	AIRPOT INDICATOR PLATE	6.00
8812-76	CHAMBER BREW 3G TEA BREWER	123.40	8882-8	AIRPOT WATER PIPE UNIT	16.00
8812-77	RACK WIRE FINISHED	22.30	8882-9	AIRPOT PUMP PACKING UPPER	5.30
8812-79	SWITCH MOMENTARY NC	6.40	8886-1	CORD & CAP ASSY EURO	27.30
8812-8	CHAMBER BREW S/A C/T& TEA	89.00	8891-1	FAUCET W/NUT & 2 WSHRS	45.00
8812-80	CHAMBER BREW ASY 5&6G T-BREW	114.60	8891-3	COVER W/CTR HOLE	10.20
8841-10	LIGHT, RED 125V USE 8706-189	6.30	8891-4	FAUCET HANDLE FOR 8891-2	2.70
8841-4	PLATE BOT 1-MMR	23.00	8891-5	LABEL DESIGNATION	5.60
8841-6	WARM BODY ASSY 8851	80.00	8900-12PK	CARTON 12 PK CLASSIC CONCEPT	5.40
8841-8	CORD & CAP ASSY	21.30	8900-1PK-D	CARTON 1PK CLASSIC COFFEE DCF	1.40
8842-4	PLATE BOT 8842	9.80	8900-1PK-R	CARTON 1PK CLASSIC COFFEE REG	1.40
8851-3	WARM BODY ASSY	80.00	# 8900-26	LIP BAND FOLGERS RED	1.30
8852-3	BODY ASSY DOUBLE WRMR	50.00	# 8900-37	LIP BAND TEA RED	5.00
8852-500	WIRE SET DBL WARMER 8852/53	11.00	8900-3-NC	CARTON 3UPS 7 1/4X20 1/2X7 1/2	2.20
8853-1	WARM TOP ASSY 8853	231.20	8900-3-NC2	INSERT THREE PK UPS APPR	1.40
8855-1	TRAY DRIP W/ GRATE 6EA	92.00	8900-3PK-B	CARTON 3PK BLANK	5.00
8855-2	INSERT OCT GRID-6PK	56.00	8900-3PK-C	CARTON 3PK 6 1/4X19 1/2X7 1/2	3.10
8855-3	TRAY DRIP AIRPOT RACK (ORANGE)	96.00	8900-3PK-C2	INSERT THREE PACK	5.80
8861-12	CORD & CAP	11.00	# 8900-C	CARTON 24 PK 20 1/4X28X14 3/4	7.00
8861-16	NUT 6-32	0.30	8900-CPA	INSERT TWENTY FOUR PACK	3.90
8861-18	BUMPERS RUBBER BLACK	0.40	8900-CPD	PAD FOR 24 PACK	1.90
8861-19	FERRULE EYELET	1.60	# 8906-2PK-C2	INSERT TWO PACK	0.60
8861-23	SCREWS(SERV)8BX3/8 PH TR ZI	0.40	8941-20	FTG ADAPTER 7/16-20 THD BRASS	3.00
8861-35	PIN SWITCH	2.40	8941-21	NUTS(SERV)7/16-20 BR	0.70
8861-38	BRKT WARMER MTG ASSY 120V	7.20	8942-20	SCREWS(SERV)8BX5/8 PH RD MS	0.50
8861-40	PLATE COVER 8842	9.70	8942-33	GASKET	0.90
8873-12	ELBOW MALE	6.70	8942-48	CORD SET 5-15P 6FT	20.40
8875-127	ELEM WARMER (TS MOD)	26.80	8942-6	CHAMBER BREW BROWN PLASTIC	5.00
8875-148	ELEM WARMER FLAT 120V	56.00	8942-6B	CHAMBER BREW BLACK PLASTIC	5.00
8875-68	FUSEHOLDER	28.30	8942-6PP	CHAMBER BREW PILLOW PACK	8.00
8875-69	FUSE	19.70	8942-6PPE	BREW CHAMBER PILLOW PK BRN MOD	19.00
8881-10	SEAL AIRPOT PUMP TOP O/S	4.80	8942-92	NUTS(SERV)8-32 KEPS SS	0.40
8881-10A	SEAL AIRPOT PUMP TOP (OLD STY)	6.70	9011-1	CAP FLARE HEAVY	1.60
8881-11	GROMMET AIRPOT STEM O/S	2.90	9012-1	LABEL BASIN FR 9012	15.90
8881-12	LABEL ORANGE DECAF LABEL	0.90	# 9012-10	BASIN COVER ASSY 9000 SERIES	67.90
8881-2	AIRPOT LINER	44.80	9012-11	BODY & BASE ASSY 9012/13 SER	137.30
8881-20	LID MODIFIED 8881 AIRPOT	13.00	9012-13	HOSE ASSY BRAIDED	37.50
8881-3	GASKET AIRPOT LINER	5.30	9012-14	GASKET FLARE 1/4IN	3.20
8881-4	PUMP & GASKET AIRPOT O/S	48.00	9012-22	BRKT FOR SOL	16.00
8881-5	SEAL AIRPOT COVER CENTER O/S	5.30	9012-23	PLATE BOT SUB ASSY	17.70
8881-6	SEAL AIRPORT COVER SIDE O/S	5.30	9012-24	TEE BRS 3/8NPTX7/16-20X7/16-20	9.30
8881-8	WASHER FLAT .515X.875X.031	0.70	9012-25	INLET TUBE ASSY 9016AU	7.70
8882-1	AIRPOT LID BOTTOM SEAL	19.60	9012-28	SPLASHGUARD ASSY	37.80
8882-10	AIRPOT PUMP PACKING LOWER	5.30	9012-33	COVER HINGE W/BRKT	15.50
8882-11	AIRPOT LINER GLASS 8883 MODEL	60.00	9012-35	FTG COUPLING	35.80
8882-12	AIRPOT LINER PACKING	6.40	9012-36	FTG NIPPLE	12.50
8882-13	AIRPOT BOTTOM PIPE	5.40	9012-37	FTG TEE	5.50
8882-15	AIRPOT WASHER UPPER	6.30	9012-38	STRAIN RELIEF LT	6.70
8882-2	AIRPOT PUMP STOPPER TOP	2.50	9012-44	ARRESTOR KIT WATER HAMMER	62.90
8882-3	AIRPOT PUMP UNIT ASSEM	19.00	9012-500	WIRE SET 9012 (501-504)	141.20
8882-4	AIRPOT PUMP STOPPER BTM	2.00	9012-6	PANEL LOWER FR	36.50

* OBSOLETE PART LIMITED TO STOCK ON HAND
NORMALLY SHIPPED IN TEN DAYS

PART NO	DESCRIPTION	LIST
9012-7	PANEL UPPER FR	30.80
9012-9	BASIN BODY ASSY 9000 SERIES	137.50
9012-91	LABEL MEA NY	4.90
9012-C	CARTON 9012 70444	12.70
9012-C2	INSERT 3W STEP UP BREWER	3.50
9012-FS	FOAM SET 9012	42.10
9012-NES	LABEL NESTLE OVERLAY	12.30
9016-211	BODY & BASE ASSY 9016 EXP	176.80
9022-1	TUBE WATER INLET HOSE 7.5IN	2.80
9022-10	FTG TEE TO NEEDLE NOSE	8.10
9022-12	DOUBLE FLARE INLET TUBE	8.30
9022-8	FAUCET TUBE DOUBLE FLARE	14.00
9032-1	LABEL BASIN FR 9032ACF	21.70
9102-16	BOTTOM PNL SUB ASSY	50.60
9102-18	PAN BASIN SUB ASSY 9102 71300	87.10
9102-19	COVER BASE TOP 9102	40.10
9102-20	BASE COVER WELD SUB ASSY 9102	90.60
9102-22	COVER BACK BASE	11.40
9102-27	SWITCH VOL SELECT	11.30
9102-28	TIMER 3 LEVEL 120V	113.70
9102-300	TANK COVER ASSY 120V	265.40
9102-36	LABEL BASIN FR	31.20
9102-37	TUBE ASSY FAUCET COIL	19.90
9102-41	CHAMBER BREW ASY SAT 0.187HOLE	123.40
9102-49	BRKT FAUCET SUPPORT	18.00
# 9102-50	BASE SUB ASSY 9102/04 SAT	66.80
9102-500	WIRE SET AUTO SAT BREWER	40.60
9102-54	TUBE WATER CUSHION	50.80
9102-57	CHAMBER BREW COFFEE STAMPED	96.50
9102-58	TUBE ASSY INLET	6.10
9102-59	TANK BODY WELDED ASSY 9102A	187.90
9102-7	BASIN BODY ASSY 9102	185.10
9102-8	ELBOW 1/4 FPT/HOSE	19.50
9102-9	ELEM 120V 1675W	40.00
9104-1	SWITCH TOGGLE	26.20
9104-15	TUBE T BYPASS ASSY	40.20
9104-300	COVER TANK ASSY 240V 4200W	611.40
9104-32	ELEM 240V 3200W	125.10
9104-36	LABEL BASIN FR 9104	100.00
9105-11	HANDLE RECESSED	9.00
9105-15	BRKT FAUCET GUARD	14.60
9105-17	WASHER BELLEVILLE	6.00
9105-2	COVER SATELLITE 9102A	126.50
9105-20	FAUCET POLY SG 10IN	117.90
9105-25	HANDLE FAUCET ORANGE	13.50
9105-5	BRKT LATCH SAT COVER	5.00
9105-9	SATELLITE BOT 9102	34.00
9412-1	LABEL BASIN FR 9412	18.90
3901	TRAY DRIP SDS-2	86.00
3902	TRAY DRIP SS1	74.00
3903	TRAY DRIP SDS-3	160.00
3910	TRAY CONDIMENT ASSY SDS-2	180.90
4019	TUMBLER	44.80

PART NO	DESCRIPTION	LIST
8544	KIT EXTENSION LEG 4	68.00
8894	BRUSH DECANter YELLOW/BLUE	12.00
# 8916	LID BRUTHRU BLK 12 A	1.30
# 8918	LID BRUTHRU BROWN 12 A	1.30
# 8920	CAP BRU THRU ORANGE 12 PK A	1.30
71529	COVER ASSY TOP 8749	62.15
80017	CORD SET 5-15P 6FT	32.20
80114	CHAMBER BREW S/S W/FULL RACK	88.50
80125	FTG 90 EL 1/4NPTX7/16-20BR	5.10
80153	BASIN COVER ASSY 9000 SER EXP	71.90
80154	FTG UNION 1/4X1/4	5.20
80158	TUBE OUTLET WATER 7 1/4 LG	4.60
80197	TUBE INLET ASSY	4.70
80484	RAIL BREW CHAMBER -RIGHT	4.10
80630	LABEL SUP COFFEE	7.80
80731	CARTON 8718/38	25.40
80864	RAIL BREW CHAMBER, OFFSET RH	12.90
80865	RAIL BREW CHAMBER, OFFSET LH	12.90
81022	PIN TERMINAL 12G MALE	1.10
81117	CORD & CAP ASSY AUS	46.60
81122	LABEL BASIN SUPERIOR 8425	28.40
81157	CORD & CAP ASSY WARMER UK	47.00
81255	NUTS(SERV)4-20X7/32 HEX	0.80
81256	COVER HINGE 9102/04	18.00
81260	BASIN PNL BACK 9102/04	28.50
81306	BRKT TANK SUPPORT	6.80
81313	PANEL FR AUTO	68.20
81316	TUBE ASSY INLET SOLENOID	7.40
81346	BUSHING SS1/2-14NPTX3/8-18NPSI	16.30
81353	COVER BACK ELECTRIC	14.70
81355	TEE 1/4IN 3FL M-M/F	6.00
81356	COUPLING 1/4IN FL FF	4.60
81477	CORD & CAP 2 BLADE 120V	20.50
81487	CORD & CAP ASSY WARMER PI	30.70
81529	COVER ASSY TOP 8749	77.70
81567	COUPLING FLARE 3/8IN FPT/1/4IN	3.20
81603	CORD & CAP ASSY WARMER AU 240V	50.50
81639	RACK FULL S/S BREW CHAMBER	42.40
81646	CORD & CAP ASSY EURO WRMR	23.90
81651	CORD & CAP ASSY BREWER UK	37.40
81652	CORD & CAP ASSY BREWER PI	48.90
81664	SWITCH ON OFF 240V	19.70
81710	TUBE INLET HOSE 22	5.70
81732	LEG ASSY LEVELING	5.00
81756	SWITCH ON OFF LTD BLK 240V 16A	7.20
81773	BRKT SOLENOID 8781BC	43.90
81774	PANEL FRONT 8781BC	60.00
81776	ADAPTER SHELF 8781BC	54.10
81780	ELEM 110V ESO	121.20
81786	GASKET FILTER HOLDER	5.40
81789	VALVE SOLENOID 110V GROUP HD	157.40
81790	VALVE SOLENOID 220V ESO	164.40
81813	O-RING SIL 12.1X2.7 ESO	1.30

PART NO	DESCRIPTION	LIST	PART NO	DESCRIPTION	LIST
81818	TUBE ASSY STR 8781BC	20.00	82264	STRAIN RELIEF STRAIGHT	3.80
81824	MAGNET 25LB 8781BC	25.50	82265	CONNECTOR WIRE 10-14 GA	2.80
81825	TUBE LOWER COPPER 8781BC	13.60	82269	TUBE WATER OUTLET .312 ID SIL	32.30
81829	CORD ASSY 8781BC 240V	48.10	82324	CARTON W/INSERTS 8356BLTR	63.80
81859	FTG 3/8	10.30	82325	CARTON W/INSERT & FOAM 8742 3G	39.10
81864	SCREWS(SERV)6X20MM HEX CAP ESO	1.70	82330	ELEM HEATING 220/380V 4000W	210.70
81865	SCREWS(SERV)5X10MM HEX CAP ESO	1.60	82340	TUBE SILICON VACUUM	7.50
81872	WASHER FLAT SS 6MM ESO	1.20	82341	TUBE SILICON VALVE	6.20
81874	SCREWS(OBS)4X1 2MM HEX SOC ESO	1.60	82342	SWITCH ELECTRIC PRESSURE	225.80
81896	WASHER HANDLE TRIM ESO	1.70	82343	PROBE SENSOR AUTO LEVEL	47.00
81916	CONNECTION DRAIN TAP ESO	18.60	82344	O-RING 5.4 X 1.5	0.70
81927	NUTS(OBS)16X50MM JAM ESO	3.20	82366	STEAM PRESSURE GAUGE ASSY	89.70
81978	SCREWS(OBS)6X10MM HEX CAP ESO	1.60	82367	PLASTIC T-CONNECTOR SIZE 8	6.30
81979	WASHER FLAT 6MM ESO	2.00	82368	TUBE FLEX 90 DEGREES 1/4	36.20
81980	SCREWS(OBS)4X1 2MM HEX CAP ESO	1.50	82369	TUBE FLEX 180 DEGREES 1/4	55.10
81987	ELBOW 1/8-90 ESO	6.90	82370	MOTOR 220V 50/60 HZ	471.40
81990	NUTS(OBS)M5 X1.2MM CAPTIVE ESO	1.60	82371	CONTACTOR GM 220V	266.30
82111	BOARD CIRCUIT PROBE 8783MCD	126.30	82372	CONTROL BOARD ASSY BLUE BUTTON	279.50
82112	BRKT CIRCUIT BOARD 8783MCD	23.70	82375	POWER CABLE L 189 XEOS	7.50
82114	PROBE 8783MCD	33.30	82376	POWER CABLE L 235 XEOS	282.30
82115	GROMMET 1/4 ID	6.30	82387	CHAMBER BREW .250 DIA HOLE	103.90
82116	KIT UPGRADE 8783MCD	224.50	82388	TUBE FILL 90 DEG BEND W/BEAD	50.00
82122	LIGHT PILOT RED .312 DIA	9.70	82390	GROMMET .375 ID TRANSLUCENT	20.00
82127	LABEL BASIN FR 8783MCD	16.10	82391	VALV SOL METAL 120V .33 GPM	184.70
82148	WASHER LOCK 1/2 ID INT SEMS SS	0.80	82395	SWITCH LIGHTED 20A 250V	22.20
82159	CAP END LEG CAN BREWERS	6.10	82396	GROMMET ADAPTOR BYPASS	18.30
82160	LEG ALUM BLK ANOD 1 X 2 RIGHT	19.50	82397	KNOB ROTARY SWITCH SKIRT MATTE	23.70
82163	KIT WIRE MODIF 9012	39.10	82398	ELEM HEATING 208V 4000W	226.10
82167	CORD & CAP ASSY EURO 8851EU	32.00	82400	TUBE TANK TO SPRAY HEAD	30.10
82181	KIT WIRE MODIF 9102A	171.90	82477	ELEM HEATING 230V 3500W SM DIA	83.40
82186	SPRAY HEAD DISC EXTRUDED	15.50	82485	PLUG HEYCO DOUBLE D BLK MATTE	0.30
82204	HOOD WLD ASSY BLT	160.60	82486	LABEL CAUTION HOT (YELLOW/BLK)	1.30
82211	BASE SUB ASSY BLT36	157.60	82491	COVER BASIN 9107	35.40
82214	SWITCH TANK HTR INDP LAMP	12.90	82495	TANK COVER	40.20
82215	GASKET SPRAY HEAD 1.5 ID	36.00	82514	TUBE ASSY COPPER INLET	18.90
82216	THERMO W/36 CAPILLARY	63.30	82528	ELEM WARMER 240V 100W W/WIRES	53.00
82219	CHAMBER BREW TEA 19/64 HOLE	91.10	82529	ELEM ASSY WARMER 240V 8783MCD	48.00
82220	TIMER DELAY 120V 0-60 SEC	70.50	82533	CHAMBER BREW ASSY 9107	123.40
82222	CHAMBER BREW ASSY 19/64 HOLE	133.10	82534	TANK COVER ASSY SAT BRWR	315.80
82223	VALV SOL METAL 120V .6 GPM	118.70	82542	KIT TEA DISP SG REPLACEMENT	132.50
82224	VALV SOL METAL 120V .15 GPM	117.30	82551	LABEL SATELLITE FRONT SS	21.10
82225	PLUMBING ASSY BLT36	404.20	82556	FAUCET ASSY PRESSURE N/S	60.00
82231	TANK COVER ASSY BLT36	104.40	82559	INSUL LYTHERM TANK WRAP	32.80
82239	CAP LEG VINYL	0.30	82562	BRKT THERMO HOT WATER TANK	8.30
82241	FTG HOSE CONNECT STRAIGHT	2.40	82563	BRKT THERMO BREW TANK	7.70
82244	TIMER 12MIN W/3 5 6 FACE PLATE	77.80	82564	LID TOP 8881	29.30
82248	LABEL OVERLAY ARAMARK MEDIUM	5.40	82565	LID BOTTOM 8881	26.70
82249	LABEL OVERLAY ARAMARK LARGE	10.30	82566	PIN LEVER 8881	8.20
82251	RETAINER STUD .408 O.D.	0.50	82567	SPRING HINGE 8881	5.40
82256	KIT WATER QUICK CONNECT	148.10	82568	PIN HINGE 8881	5.40
82257	KIT CORD W/ ST RELIEF L14-20P	168.00	82569	BELLOW UNIT 8881	42.70
82260	NUT RETAINER 8783MCD	5.20	82573	HANDLE RED FAUCET	7.50
82263	CORD 15A 5-15P 14/3 6FT 21671	40.80	82575	SEAT CUP FAUCET N/S	5.20

* OBSOLETE PART LIMITED TO STOCK ON HAND
NORMALLY SHIPPED IN TEN DAYS

PART NO	DESCRIPTION	LIST
82576	KIT FAUCET HANDLE ASSY	32.20
82577	HANDLE FAUCET RED FOR 8783-1	8.30
82578	PIN FAUCET HANDLE FOR 8783-1	1.10
82579	SEAT CUP FAUCET FOR 8783-1	2.90
82580	KIT REPAIR FAUCET 8783-1 W/HDL	29.80
82589	BRKT TANK SUPPORT	8.20
82599	CORD & CAP ASSY 32A/220V UK	220.50
82680	NUTS(SERV)7/16-20 HEX JAM NI	0.40
82681	WASHER FLT 15/32X1 1/8 X062 SS	0.40
82682	CLIP FAUCET	9.60
82685	FAUCET ASSY W/EXTENSION	92.60
82700	SPOUT EXTENSION FAUCET	18.00
82703	FINE SCREEN FAUCET	24.00
82707	DF100 DISPOSABLE FAUCET PK100	240.00
82719	FTG TEE 1/4-1/4 FLARE 1/8NPT	5.70
82720	FTG TEE BARB	14.20
82721	TUBE ASSY COPPER VALVE TO SOL	8.30
82724	TUBE SILICONE 4"	3.30
82727	SPRAY HEAD DISC EMBOSSED	3.00
82728	SWITCH ROTARY W/HARNESS	364.20
82729	VALV SOL DISPENSE ADJ DUMP	113.00
82732	TANK WLD ASSY SS1	289.30
82733	PANEL FRONT	52.80
82735	BODY WELDED ASSY	135.00
82736	TIMER 3 LEVEL	330.00
82737	BRKT DOUBLE SOLENOID	7.00
82738	SPOUT ASSY	76.60
82739	NUT TANK FITTING	10.80
82740	TUBE SILICONE 8"	6.30
82741	FTG ELBOW W/EXTENSION	71.50
82743	VALV SOL METAL 120V .19 GPM	138.10
82763	PLUMBING ASSY SS1	250.00
82772	WIRE SET SS1-ADT	90.90
82776	DF30 FAUCET DISPOSABLE PK 30	89.10
82817	BASIN WELD ASSY 1072	131.00
82829	POD KIT 44 DIA	215.00
82830	FILTER POD 2T 12G H22	98.80
82846	PAN DRIP ESO	4.50
82847	CIRCLIP BRONZE .15 DIA ESO	2.60
82848	CLIP HANDLE ESO	1.70
82861	CAP END BLUE ESO	3.70
82862	DRAIN ESO	31.90
82867	EXCHANGE 2/3 + 4G CONTROL BOX	1073.10
82870	OUTLET STEAM ESO	90.10
82872	DRAIN ASSEMBLY ESO	29.90
82878	PIPE THREE WAY SILICON ESO	8.60
82881	PIPE SAFETY OUTLET SILICON ESO	36.00
82882	PANEL RIGHT BLUE ESO	613.70
82883	PANEL LEFT BLUE ESO	613.70
82884	FROTHER KIT MILK ESO	672.40
82894	LIGHT CONTROL GREEN ESO CB	12.60
82905	RACK DRAINING 1 GR ESO CB	101.30
82909	CONTACTOR 110V 50/60HZ ESO CB	168.10

PART NO	DESCRIPTION	LIST
82920	CORD & CAP EURO 3COND (CE)	54.70
82925	TUBE OUTLET ASSY 10 7/16 SS	14.30
82926	TUBE FORMED INLET SS	9.80
82927	FTG ADAPTER NICKEL PLATED	21.50
82928	FTG 90 EL 1/4NPTX7/16-20NI	8.90
82929	FTG REDUCER ADAPTER NICKEL	8.30
82930	FTG INLET T NICKEL	25.90
82931	TUBE INLET ASSY SS	7.70
82933	VALVE NEEDLE SEAT NICKEL	17.30
82934	CONNECTOR NICKEL PLATED	7.30
82936	SWITCH ROCKER ON-OFF CE	4.70
82941	SPOUT WATER ASSY 8357	39.40
82956	THERMO HI LIMIT MANUAL	14.90
82958	TANK COVER SUB ASSY EXPORT	40.50
82959	TANK COVER SUB ASSY	40.60
83000	GASKET PACKING 7750	0.70
83001	RING 7750	2.90
83002	L-TUBE TOP 7750	2.50
83003	TUBE GLASS WATER GAUGE 7750	7.60
83004	PANEL ASSY SIGHT GAUGE 7750	10.60
83005	L-TUBE BOTTOM 7750	2.90
83006	LEVER DISPENSING 7750	8.30
83008	VALVE ASSY 7750	8.60
83009	SEAL JOINT RUBBER 7750	4.90
83010	GASKET GLASS LINER 7750	2.50
83011	LINER GLASS 7750	101.70
83012	BOTTOM SET 7750	16.00
83013	COVER VALVE ASSY 7750	5.40
83014	LEG BLACK 7750	40.10
83015	COVER BOTTOM BLACK 7750	9.00
83016	HANDLE 7750	4.70
83034	TUBE FILL 90 DEG. BEND 13"	10.50
83046	CONNECTOR WIRED ASSY SDS-2	96.00
83052	DOOR DISPENSER 9454 9456 BLACK	56.80
83057	BASE POLYPROP. INJECT. MOLD	12.70
83059	GUIDE BASE SS1-ADT	8.80
83060	LIGHT QUALITY SS1-ADT	16.60
83062	FILTER CARTRIDGE CM4	235.60
83063	FILTER CARTRIDGE CMT55	106.70
83073	BASE WLD ASSY SDS-2	80.00
83076	LABEL FRONT DECAL SDS-2	8.90
83077	HANDLE GUIDE "L" W/SCREWS	25.00
83084	GUARD FUNNEL SATELLITE SDS-2	10.30
83092	DOOR DECAF & FRAME 9105DP	5.80
83095	HANDLE GUARD FAUCET W/SCREWS	19.30
83098	LEG 4" BLK PLASTIC W/FLANGE(4)	20.00
83099	HANDLE SATELLITE W/HDWE	22.30
83100	BREW CHAMBER ASSY SS1	123.40
83101	CHAMBER BREW SS1	98.20
83102	TIMER 30-120MIN W/SPCR & NUT	101.80
83104	SPACER TIMER W/LOCK NUT #8-32	1.60
83105	SWITCH SNAP ACTION SDS-2	15.80
83107	FEET RUBBER BLACK PK OF 4	12.00

PART NO	DESCRIPTION	LIST	PART NO	DESCRIPTION	LIST
83108	WIRE SET SDS-2	32.50	83328	PANEL BACK XEOS 5102	116.40
83112	FAUCET W/SG 10 IN 9105DP GLASS	127.30	83329	VALV SOL METAL 120V .50 GPM	102.80
83114	ELEM HTR SILICON 45W W/TAPE	93.00	83334	KIT BODY BASE W/EXTENDER 8746	286.60
83117	INSUL LYTHERM TANK BTM	7.10	83343	LABEL FRONT DECAL SDS-1	19.40
83120	SWITCH START BREW	23.60	83346	WIRE SET SDS-1	22.70
83132	LABEL CAUTION "DO NOT IMMERSER"	4.30	83350	GASKET AIR PUMP UPPER SMALL	5.30
83145	KIT CB AUTO WATER BOTTLE	288.70	83351	GASKET AIR PUMP LOWER LARGE	8.00
83146	STRAINER ASSY W/QUICK DISCONN	151.70	83354	TANK COVER ASSY SS1-BD55	350.00
83147	WASHER GYLON 1/2 ID 3/4 OD	3.10	83357	NUT TANK DRAIN PLUG SS2	5.90
83148	WASHER GYLON 7/16 ID 3/4 OD	1.30	83358	PLUG TANK DRAIN SS2	5.90
83149	TIMER 30-120MIN QUALITY SS1	172.50	83359	WASHER FLARE TANK DRAIN SS2	0.90
83150	TUBE ASSY FAUCET COIL COPPER	16.20	83363	COVER HOPPER	14.20
83151	BRKT ADAPTOR BYPASS SS1	7.90	83364	HOPPER	43.20
83152	ELBOW SPRAYER 1/4 ID	15.00	83380	TUBE ASSY COPPER TUBE	37.20
83153	TANK COVER ASSY SS1-BDTMC	350.00	83381	KIT DRAIN VALVE ASSEMBLY	112.00
83157	SPRING LEVER 8884	5.30	83384	TUBE SPRAY HEAD 2 3/8 LG	9.20
83158	PLATE PUSH TOP 8884	6.00	83385	TUBE SILICONE 21" LG	13.20
83159	PIN HINGE 8884	5.30	83388	VALV SOL 120V ADJ BREW	90.00
83161	HINGE 8884	5.30	83392	HEAT SINK & TRIAC ASSY	108.00
83162	GASKET LID 8884	6.00	83393	NUTS(OBS)6-32X5/16X7/16	0.60
83163	FUSE HOLDER	10.20	83394	SCREWS(CHI) 8-32X1/4 SS	1.50
83164	FUSE 10 AMP	3.40	83395	LOCKWASHER INTERNAL SS #8	1.80
83172	RECEPTACLE PIN WIRED ASSY	26.10	83414	SHIELD HI-LIMIT	7.00
83182	RELAY 30 AMP	29.70	83415	NUTS(SERV)6-32X1" HEX ALUMINUM	1.40
83185	ELEM HEATING 208V 5500W	137.20	83423	PUCK COLD SERVER CREAMER	40.00
83187	TANK COVER ASSY SS1-AD55	295.60	83424	ELEM HEATING 208V 2750W SS2	90.50
83196	VALV SOL TP DUAL 120V	59.30	83432	SEAL 1/4" FLARE	3.00
83209	TOOL SWITCH REMOVAL	24.00	83435	JOINT ANGLE 3/8M - 1/8M - 1/4F	15.00
83210	LEVER & SHAFT PUMP AIRPOT	19.60	83439	VALV SOL TP SGL 120V 1 GPM	25.70
83216	WRAP VINYL 'HOT COF' 8859C E/C	26.80	83440	LID ASSY	42.20
83219	WRAP VINYL 'BREW COF'8859C ENG	26.80	83441	GASKET LID RUBBER	3.00
83226	WRAP VINYL 'HOT WATER'8859C ENG	26.80	83442	STOPPER ASSY 2.2 LTR	17.80
83238	CARTON SS1-BDT SYSTEM W/9105DP	69.20	83445	PIPE END RUBBER	1.50
83271	CONTROL FLOW .528 GPM RED	2.00	83446	HANDLE CARRY	10.50
83272	CONTROL FLOW .211 GPM GREEN	2.00	83447	GASKET RUBBER GLASS REFILL	4.20
83280	FOOT BLACK ADHES	27.70	83448	GLASS REFILL 2.2 LTR	68.60
83282	VALV SOL TP DUAL 120V .60/.19	57.70	83449	PROTECTOR PLASTIC GLASS REFILL	3.00
83287	ELEM 3000W 230V	100.00	83450	FTG WYE 3/8 HOSE	11.40
83290	TOP HOUSING WLD ASSY SS2	341.00	83451	WRAP VINYL 'HOT TEA'	25.80
83298	BOTTOM PLATE ASSY SS2	200.70	83454	STEAM WAND AS OF 2/96	72.20
83302	PANEL FRONT SS2	86.60	83455	FTG INLET NICKEL PLATED	13.50
83304	PANEL BACK SS2	73.30	83460	TRAY DRIP 9854, 9856 O/S	75.70
83305	COVER TOP HOUSING SS2	103.80	83463	CARTON 8747/8748 5 GAL	19.40
83308	BRKT BYPASS VALVE SS2	9.90	83474	BOARD SET, CONTROL	400.00
83309	GASKET TANK HEATER SS2	13.30	83475	HEAT SINK & TRIAC ASSY	112.50
83311	TUBE FILL 90DEG BEND SS2	72.60	83480	PROBE THERMISTOR 5 1/2	29.10
83312	THERMO HI LIMIT DBL POLE	46.40	83481	OVERLAY DECAL KEYPAD DECANTER	83.40
83313	PROBE THERMISTOR PASSIVATE	64.20	83484	FTG COMP TO FEMALE PIPE	27.00
83314	TUBE SILICONE 1/2" ID 7.3" LG	22.00	83485	FTG COMP TO MALE PIPE	44.60
83318	PLUG TANK LID .510 DIA	3.30	83490	WELDMENT UPPER HOUSING	358.80
83319	PLUG TANK LID .298 DIA	3.00	83499	GASKET TANK COVER	6.30
83320	PLUG TANK LID .687 DIA	3.00	83500	TANK ASSY 8 QT	208.20
83325	TANK LID WELDED ASSY SS2	37.20	83501	EYELET VENT TUBE	1.70

* OBSOLETE PART LIMITED TO STOCK ON HAND
NORMALLY SHIPPED IN TEN DAYS

PART NO	DESCRIPTION	LIST
83504	COVER ASSY TANK	54.70
83506	RETAINING CLIP TANK LID	3.50
83516	FTG W/EXTENSION	57.10
83518	ELEM HEATING 1500W	60.00
83519	ELEM HEATING 1800W	64.20
83521	PROBE ASSY WATER LEVEL	30.00
83523	VALVE BALL	28.30
83525	FILTER HEAD WATER	66.40
83526	FTG MALE 1/4 X 3/8	6.30
83528	CONTROL FLOW .66 GPM	2.00
83532	SLEEVE WATER LEVEL PROBE	1.30
83534	WIRE HARNESS MAIN	102.30
83537	TUBE SILICONE 9" LG	7.70
83538	TUBE SILICONE 10" LG	9.90
83539	TUBE SILICONE 3.8" LG	5.60
83540	TUBE SILICONE 23" LG	16.70
83543	TUBE ASSY WATER FILTER	9.10
83546	ELBOW SPRAYER WITH INSERT	2.40
83552	WIRE ASSY WATER LVL PROBE SS2	16.80
83553	TUBE SILICONE 72" LG	44.00
83557	RETAINER TANK LID	6.00
83558	TOP COVER SATELLITE	7.00
83568	FILTER CARTRIDGE CM9	330.00
83570	INSERT REG. SS2	12.70
83571	INSERT BYPASS HEAD SS2	18.00
83575	FAUCET HOT WATER	28.70
83605	ELBOW MALE 5/8 X 3/8 90 DEG.	8.50
83611	STEM FAUCET	2.00
83612	VALV SOL TP SGL 120V .75 GPM	33.70
83617	VALV SOL BYPASS ASSY 120V	123.40
83618	VALV SOL DISP ASSY 120V	90.60
83619	KIT WATER FILTER ASSY EMAX	254.10
83623	BRKT POWER BD MOUNT	26.30
83625	COVER ASSY UPPER HOUSING	59.00
83630	WELDMENT LOWER HOUSING & BASE	220.00
83631	BRKT TIMER & SOLENOID	16.80
83632	PLATE BASE	46.90
83633	OVERLAY DECAL KEYPAD	64.70
83634	TANK ASSEMBLY	133.80
83635	BOARD CONTROL	121.70
83636	BOARD POWER	160.80
83637	FACEPLATE CONTROL BOARD	72.80
83640	TANK COVER WELDED ASSY	89.90
83642	WIRES CUT & HARNESSSED	69.70
83644	PROBE TEMP 5 1/2"W/NUT	42.80
83657	ELEM 230V 6000W 3 PHASE	290.00
83658	DECAL GRNDR 9250AB W/SELCT DWG	23.30
83659	DECAL GRINDER 9250 DRWG	23.30
83686	CORD & CAP ASSY EU	19.60
83720	CABLE INTERFACE E-MAX PROGRAM	212.50
83726	UPPER HOUSING COVER ASSY	98.80
83727	PANEL UPPER FRONT	26.80
83729	TUBE SILICONE 15" .312 ID	9.60

PART NO	DESCRIPTION	LIST
83730	NUTS(SERV)6-32.5 HEX ALUMINUM	3.30
83731	SEAL TEMP PROBE	2.70
83732	TUBE ASSY INLET	36.00
83733	TUBE ASSY FAUCET	38.00
83734	TUBE WATER OUTLET	37.60
83735	WELDMENT UPPER HOUSING	110.00
83745	ELBOW SWIVEL 1/4M X 1/4 FEMALE	10.50
83747	ELEM HEATING 1200W	432.50
83748	ELEM HEATING 3200W	65.30
83749	BRKT TRANSFORMER	17.00
83751	CARTON FOAM INSERT 8747/48 5GL	40.40
83753	TANK ASSEMBLY 240V	241.80
83754	COVER ASSY DUAL WARMER	80.70
83763	SWITCH PLUG	1.60
83764	PLATE BOTTOM	36.80
83776	TANK ASSY SS2	722.70
83778	RETAINING CLIP TANK LID	9.20
83783	BASE EMX THERMAL	56.30
83787	TRANSFORMER STEP-DOWN	189.80
83793	WASHER 1.50 OD	6.90
83794	FUSE 5A	6.00
83795	FUSE HOLDER	17.40
83810	BRKT POSITIONING	31.70
83820	BOARD SET CONTROL VFD	611.70
83823	BOARD SET CONTROL	524.60
83826	BOARD SET CONTROL 240V LCD EMX	711.70
83829	BOARD SET CONTROL 200V	522.40
83850	CORD & CAP ASSY W/TERMINALS UK	32.30
83863	TANK LID ASSY, SRL-DP	73.10
83876	POWER & CONTROL BOARD ASSY	513.30
83878	HEATSINK & TRIACS (2) ASSY	94.60
83879	TRANSFORMER 120/240V	198.50
83884	HEAT SINK & RELAY ASSY	565.50
83885	SHIELD DRIP CONTACTOR	4.80
83900	ASSY WATER INLET	65.80
83904	CONTROL FLOW .343 GPM	2.00
83910	STRAINER ASSY MCD	99.30
83912	PANEL BACK BODY	138.50
83932	ACCESS PANEL LOWER HOUSING	7.90
83936	KIT WATER FILTER ASSY LEFT	298.70
83949	THERMO HI LIMIT BLACK EMAX	13.00
83960	KIT CONVERSION PWR/CNTRL BOARD	973.70
83977	TUBE SILICONE .312 ID 35"	18.90
83978	TUBE SILICONE .312 ID 30"	18.00
84008	ELEM HEATING 1500/3200W	333.30
84009	ELEM HEATING 1800/3200W	325.70
84010	TANK ASSY DUAL VOLTAGE	271.60
84031	WATER INLET ASSY	122.40
84032	FLOW CONTROL .032 DIA HOLE	7.90
84033	FLOW CONTROL .035 DIA HOLE	9.20
84041	SCR MODULE AND HEAT SINK	125.40
84043	TUBE SILICONE .312 I.D. 20" LG	17.00
84053	VALV SOL ADJ OUTLET 120V	235.70

PART NO	DESCRIPTION	LIST	PART NO	DESCRIPTION	LIST
84054	SOLENOID VALVE 200V .75GPM	123.70	84211	CLAMP HOSE 9/16 PLASTIC	7.20
84055	VALVE SOLENOID 200V .33 GPM	123.70	84212	HOSE CLAMP 11/16 PLASTIC	3.60
84056	VALV SOL METAL 100V .33 GPM	123.70	84213	LEG ASSY LEVELING	4.20
84058	ELEM HEATING 200V 3500W	166.90	84215	FAUCET HOT WATER	46.50
84063	GROMMET .510 DIA-1/4 HOLE	13.00	84222	OVERLAY LBL JJ 1.25 X 2.25	31.70
84065	CLEANOUT ASSY	61.70	84255	SWITCH ROCKER	24.20
84070	CAP CLEANOUT	1.40	84256	SWITCH ROCKER START	18.50
84071	WASHER SILICONE	2.80	84258	SPRING CHAFF MIXER	9.70
84072	BUSHING 1/4 FPT X 1/2 MPT	6.70	84259	SPRING W/CHAFF SUPPRESSION	31.90
84073	FTG 1/4MF X 3/8 BARB	11.50	84260	DEFLECTOR	19.90
84074	VALVE CHECK 1/4-1/4	18.40	84263	SPOUT	13.70
84077	PRESSURE SWITCH OBS..USE 85247	52.50	84266	DIGITAL TIMER	386.80
84082	DISC CAP CLEANOUT ASSY	2.60	84267	SPRING BASKET ARM	11.10
84091	DECAL GRNDR 9250AB W/SELCT DWG	19.20	84268	SPACER	50.30
84096	SOLENOID LOCK OUT	106.10	84269	ARM BASKET LEFT	16.70
84097	ELEM 5000W 240V	127.50	84270	ARM BASKET RIGHT	16.70
84098	SWITCH 2 POLE 50A 50/60HZ	120.00	84271	SPACER	3.30
84099	OVERLAY KEYPAD STARBUCKS	255.90	84273	BREAKER CIRCUIT 10A	16.90
84100	LABEL BASE DECAL SS2-BDSB	25.40	84276	PLATE LOWER FRONT	239.00
84105	LABEL SATELLITE SRL-SB	13.70	84282	CONTACTOR 2P 40A 208/240 COIL	91.10
84112	KIT CONVERSION PWR/CNTRL BD EX	673.70	84283	FAN ASSY 208/240 60HZ	67.60
84122	BOARD SET CONTROL LX 200V	1239.20	84286	CORD POWER CUT & STRIP	56.80
84124	OVERLAY DECAL KEYPAD	43.80	84290	VALV SOL TP SGL 240V .75GPM	55.00
84130	WELDMNT LOWER HOUSING & BASE	172.20	84291	VALV SOL TP DUAL 120V BYPASS	46.70
84131	COVER ASSY DUAL WARMER EXPORT	70.00	84299	HOUSING SIGHT GAUGE	62.10
84132	SPRAY HEAD DISC EMBOSSED .0511	4.20	84300	BRKT SIGHT GAUGE	154.50
84150	KIT E-MAX PROGRAMMER	193.90	84313	HANDLE FAUCET GUARD	50.20
84166	ELEM WARMER 200V EXPORT	24.30	84323	POWER & CONTROL BOARD ASSY SS2	577.50
84168	SOLENOID GRIND SHIFT 9250AB	125.90	84326	HANDLE FAUCET GUARD	21.50
84169	SHIFT ARM 9250AB	50.00	84341	FAUCET & SHANK ASSY	83.80
84170	SPRING TENSION 9250AB	10.80	84342	DECAL SATELLITE	18.00
84177	GRIND ADJUST PIN 9250AB	10.80	84343	TUBE FILL 90 BEND	14.80
84179	BEARING ADJUSTING	9.10	84344	ELEM 240V/3000W	147.00
84180	COVER SHEAR	10.80	84351	DECAL BASE SS2-HE	40.00
84181	SHEAR DISC	2.70	84354	TUBE SIGHT GAUGE	27.10
84182	DRIVE SHEAR	17.80	84357	BOARD WATER LEVEL SENSOR RETRO	15.00
84184	BURR SET	262.50	84364	TEE PLASTIC 1/2 BARB	10.70
84189	MOTOR 1/2HP 115V	367.50	84366	TUBE SILICONE .50 DIA X 2"	5.60
84192	MOTOR AUGER 115V	262.50	84367	TUBE SILICONE .50 DIA X 2.38	2.90
84193	SPRING AUGER	27.10	84368	TUBE SILICONE .50 DIA X 2.75	2.60
84194	O-RING	4.50	84369	TUBE SIL .312 ID X 1.0" LG	3.10
84195	ADAPTER DRIVE	11.20	84370	TUBE ASSY INLET	11.50
84197	FUNNEL AUGER	135.00	84380	ELEM 3 PH 6000W 200V SS2	329.10
84198	HOPPER AUGER W/SPOUT	368.90	84382	SWITCH ROCKER HIGH TEMP	2.80
84199	WASHER NYLON	1.20	84384	OVERLAY KEYPAD UNITED DAIRY	149.50
84200	LINK DRIVE	20.10	# 84390	FAUCET BODY	41.40
84201	HOPPER WINDOW	90.00	# 84392	HANDLE FAUCET	8.80
84202	HOPPER	298.20	# 84393	NUT HEX	12.40
84203	NUT 8-32 NYLON LOCK	1.60	# 84395	SHANK ONLY FAUCET	19.30
84204	SCREWS(SERV)8-32X1/2 SL BD NY	1.60	# 84396	SHANK ASSY FAUCET	19.10
84205	PARTITION HOPPER	55.10	84401	CONTROL FLOW .317 GPM BLUE	2.00
84206	250 LID ASSY	78.40	84402	PLUMBING ASSY SS1	94.00
84208	OVERLAY DECAL KEYPAD 2216J	73.20	84404	VALV SOL TP DUAL 120V .33/19	98.00

* OBSOLETE PART LIMITED TO STOCK ON HAND
NORMALLY SHIPPED IN TEN DAYS

PART NO	DESCRIPTION	LIST
84405	TUBE SILICONE .312 DIA X 2.1	1.40
84406	TUBE SILICONE .312 DIA X 2.5	1.40
84412	DOOR ACCESS SOLENOID	10.80
84413	BRKT SOLENOID MOUNTING	11.60
84421	BOARD WATER LEVEL SENSOR RETRO	2.50
84423	SPRING COMPRESSION .437 O.D.SS	11.40
84427	VALV SOL TP SGL 240V 1 GPM	41.00
84430	TUBE ASSY FORMED	19.70
84431	RETAINER TUBE	44.20
84433	TUBE SILICONE .312 I.D. 6.00	5.00
84434	TUBE FORMED SS	16.10
84435	INSUL LYTHERM FAUCET TUBE	6.60
84458	HOSE W/SS WIRE BRAID COVER	19.80
84459	CLAMP STEPLESS EAR	1.30
84488	FERRULE, SATELLITE	28.40
# 84489	WASHER FIBER	12.10
84490	UPPER ASSY HIGH PRESSURE	55.00
84512	LABEL BASIN FRONT 8571KFT	20.00
84513	LABEL BASIN FRONT 8543KFT	21.80
84514	LABEL BASIN FRONT 9012,9016KFT	10.50
84515	LABEL BASIN FRONT 8572,8574KFT	16.40
84516	LABEL BASIN FRONT 8516KFT	29.00
84518	LABEL BASIN FRONT 8774KFT	29.70
84519	LABEL BASIN FRONT 8788KFT	29.70
84521	LABEL BASIN FRONT 8773KFT	16.70
84528	SPOUT ASSY	49.60
84551	BOARD SET CUSTOM PROGRAM UDF	554.50
84564	BOARD SET CUSTOM PROG SS2-BDSB	725.60
84569	VALV SOL TP SGL 240 .75 GPM	67.50
84570	VALV SOL DUAL 240V .75/BYPASS	77.20
84571	KIT RET SOL 120V SINGLE .75GPM	74.30
84572	KIT RET SOL 120V BYPASS .75GPM	90.00
84574	KIT RETRO SOLENOID 240V SINGLE	99.10
84575	KIT RETRO SOLENOID 240V BYPASS	112.00
84578	KIT SS2 PROGRAMMING	195.40
84580	LABEL WARMER BASIN FR 8516KFT	33.90
84583	RECEPTACLE WIRED ASSY	32.30
84587	COUPLING 1/4 MPT X 1/4 MFL NI	11.70
84588	BUSHING 1/4FPT X 1/2MPT NI PLT	16.90
84590	TUBE ASSY FORMED SS	16.10
84595	BOARD LIQUID LEVEL WM-TR	115.50
84600	TUBE SILICONE .312 18"LG	3.40
84604	DECAL CONTROL PANEL SS2 9221	42.90
84619	VALV SOL ADJ DISP 240V	190.90
84620	SWITCH LIGHTED SP OFF MOM ON	14.70
84621	SWITCH DP ON MOM OFF 10A 250V	15.10
84622	SWITCH DP ON NONE ON 10A 250V	12.90
84623	TIMER FULL 2/3 1/3	100.60
84628	TUBE SILICONE .312 DIA X 1.8	1.30
84629	TUBE SILICONE .312 DIA X .50	1.00
84630	TUBE SILICONE .50 I.D.X 4.25L	5.20
84650	TUBE SILICONE .312 I.D. 4.8"L	2.90
84659	TANK LID WTRMAX 5 GAL TANK	90.00

PART NO	DESCRIPTION	LIST
84660	LED ASSY ERROR INDICATOR	25.90
84663	FTG HOSE BARB-MPT 3/8X1/2	14.10
84664	ELBOW 3/8 HOSE 1/4 MALE FLARE	10.70
84665	TUBE BRAIDED .38 ID X 18.0 LG	6.30
84666	TUBE BRAIDED .38 ID X 4.5"	2.70
84686	FAUCET & SHANK ASSY RED HANDLE	93.90
84690	STANDOFF RUBBER BUMPER PK 4	5.00
84691	ASSY WATER INLET VALVE	83.80
84703	LABEL'CAFE ORIGINS' FRNT BASIN	20.00
84704	LABEL'CAFE ORIGINS' FRNT BASIN	24.80
84705	LABEL'YUBAN' FRNT BASIN	9.60
84707	LABEL'YUBAN' FRNT BASIN	9.00
84708	LABEL'YUBAN' FRNT BASIN	8.50
84711	BOARD SET CONTROL 9511J 120V	636.70
84712	ELEM 3 PHASE 200V 3600 WATT	511.10
84713	THERMO HI LIMIT SCREW TERM	43.40
84715	TUBE SILICONE .312 DIA X 11.0"	5.20
84746	SWITCH MINIATURE 15A 240V	15.80
84748	OVERLAY DECAL KEYPAD 9511J	218.10
84765	TUBE BRAIDED .38 ID X 10.0 LG	4.80
84784	ASSY LIGHT GREEN 250V	10.40
84788	BODY WRAP 8782XL	104.80
84791	LEG ALUMINUM 1X1	18.00
84792	CAP END 1X1 8782XL	7.20
84793	PANEL FRONT 8782XL	35.30
84804	KIT STREAM FORMER PRESS FAUCET	12.00
84806	LABEL FRONT GOURMET WITH HOLE	5.90
84811	PANEL FRONT 8782	36.80
84812	BODY WELD ASSY 8782	116.30
84833	HARNESS WIRE PWR BD TO CNTL BD	12.90
84853	LABEL FRONT GOURMET 6 X 5 1/2	33.70
84858	HARNESS WIRE PWR BD/CONTROL BD	8.10
84868	ASSY PRESS REG/HAMMER WM-TR	221.80
84869	POWER BOARD WATER MAX TR	523.50
84870	KIT REPAIR FAUCET AERATOR	20.90
84905	ASSY THERMOSTAT PEPI	21.80
84945	TOP ASSY ORANGE LEVER	24.30
84946	TOP ASSY BLACK LEVER	24.30
84947	TOP GASKET BTL	5.70
84948	STEM STOPPER BTL	16.50
84949	LINER GASKET	5.50
84950	GLASS LINER	72.70
84951	TOP ASSY	31.30
84952	STEM STOPPER	15.00
84954	TOP ASSY	14.20
84955	TOP GASKET	5.70
84956	STEM STOPPER BTL	15.10
84957	GLASS LINER	71.30
84959	LABEL BURN HAZARD (BILINGUAL)	10.30
84960	LABEL SERIOUS BURN HAZ BILING	15.10
84970	LABEL FRONT GOURMET P/O 8785	27.80
84975	TOP ASSY BTL BLACK	19.30
84976	BELLOWS SET	12.50

PART NO	DESCRIPTION	LIST	PART NO	DESCRIPTION	LIST
84977	GLASS LINER	54.50	85260	ASSY QUICK DISCONNECT MALE	57.50
84985	STOPPER SET	14.50	85274	POWER & CONTROL BD ASSY SS2J	737.00
84986	HANDLE	5.70	85275	CONTACTOR MINI 3P 220/240V 20A	241.40
84987	BODY SET	28.50	85278	AUXILIARY CONTACT	42.60
84988	VALVE ASSY	7.30	85305	THERMOMETER, 3" BI-METAL DIAL	111.60
84989	GLASS TUBE COVER	14.00	85309	TERM BLOCK 3 POLE	7.10
84990	LEVER SET	7.30	85323	LABEL SATELLITE HOT TEA/WATER	18.50
84991	LEG	28.50	85329	TRNSFRMR 120/240-120SEC 260VA	171.00
84992	BOTTOM	9.50	85330	LABEL SATELLITE	14.50
84993	LINER HOLDER	1.50	85351	LID BREW THRU 7882	10.00
84994	JOINT SEAL RUBBER	4.30	85385	ASSY ELEMENT SATELLITE	270.70
84995	VALVE COVER	4.80	85443	VALVE SOL GROUP HEAD 208V	127.80
84996	SHOULDER CONNECTION TUBE	2.90	85444	OVERLAY DECAL KEYPAD 1040	301.00
84997	GLASS TUBE COVER A	2.00	85459	ACCESS PANEL SS 9460-9470	13.20
84998	GLASS TUBE	5.80	85482	SIGN PANEL LIGHTED DOOR	15.20
84999	GLASS TUBE COVER B	2.00	85504	HANDLE SWITCH COFFEE- BLACK	5.80
85000	BOTTOM CONNECTION	2.80	85508	ASSY SWITCH HANDLE- COFFEE	67.30
85001	JOINT PIPE	2.80	85509	ASSY SWITCH LQ COFFEE	29.80
85002	LEG COVER	9.70	85514	HANDLE SWITCH HOT WATER-RED	6.30
85003	VALVE COVER SCREW	3.50	85516	ASSY ELBOW 4.25 LG X .50 TUBE	26.30
85004	CLEANING BRUSH SIGHT GLASS	4.70	85518	BALLAST 277V 50/60HZ WH3-277-C	81.00
85005	CLEANING BRUSH GLASS LINER	4.70	85519	LAMP BASE 2G11	13.70
85006	FEET 7756	2.60	85520	LAMP FLOURESCENT PL-L	36.80
85017	OVERLAY DECAL KEYPAD	277.90	85524	TUBE FILL 9460-9470	28.60
85018	OVERLAY DECAL KEYPAD	71.90	85530	GASKET TANK COVER 9460-9470	26.00
85020	PLATE BOTTOM JAPAN	53.40	# 85536	CORD & CAP ASSY 125V 15A W/TER	20.60
85060	HEAT SINK ASSY W/SNUBBER	126.50	85538	OVERLAY KENTWOOD 8780	5.40
85062	FILTER LINE PC BOARD	130.30	85539	OVERLAY KENTWOOD 8572	5.40
85086	TUBE FILL 90 DEG BEND L=14.15	56.00	85543	CORD & CAP ASSY L22-20P 20A	157.20
85089	ACCESS DOOR PLASTIC	5.80	85554	DECAL GRNDR 9250AB W/SELCT DWG	17.90
85094	TUBE SILICONE .312 ID X 32" L	9.00	85564	LABEL BASIN FRONT 9901J	50.40
85123	TIMER 3 LEVEL 220V	172.30	85565	ELEM WARMER 100V 100W JAPAN	54.30
85135	END PANEL RIGHT BLUE	733.30	85566	SWITCH ROTARY HALF/FULL BATCH	1608.10
85136	END PANEL LEFT BLUE	733.30	85567	SWITCH PLATE ANTI-ROTATION	3.10
85138	RECEPTICAL 6-50R	64.00	85572	LID BLACK 7876	10.30
85141	SHIELD LINE FILTER	6.40	85573	LID ORANGE 7876	10.30
85142	SHIELD SNUBBER BOARD	4.70	85574	TANK COVER ASSY 120V 1800W	132.70
85146	TUBE BRAIDED .38 ID X 16.0 LG	15.70	85575	SPARE COVER ASSY 120V 1800W	223.70
85160	LEG 4" DIECAST NI PLT 3/8 THRD	14.20	85576	LID ORANGE 7760/7762	47.50
85162	TRANSFORMER 200V	146.60	85577	LID BLACK 7760/7762	47.50
85169	OVERLAY DECAL KEYPAD ARAMARK	88.90	85583	KIT RING BOTTLE	189.00
# 85171	LID BREW THRU BLACK 7874	7.80	# 85587	ASSY TANK COVER BTTL WTR BRWRS	88.90
# 85172	LID BREW THRU ORANGE 7874	7.80	85600	POWER BOARD WM-TR GEN II	697.10
85201	NEEDLE VALVE SS	41.50	85606	CORD & CAP ASSY 15A JAPAN	54.00
85204	TUBE SILICONE .312 I.D. X 3.0	8.00	85607	PLUG ADAPTOR JAPAN	20.10
85218	PLASTIC SOLENOID VALVE KIT	11.00	85609	TUBE 3/8 X 1/2 LG STN STL	4.30
85219	SCREEN STRAINER VALVE	0.70	85614	LABEL BASIN FRONT 8382	45.40
85235	PLUG BUTTON 1/2 DIA BLK PLASTI	4.00	85615	LABEL BASIN FRONT 8372	23.50
85236	WELDMENT LOWER HOUSING SS2	745.40	85624	ASSY TANK COVER 1882	61.20
85239	OVERLAY FRONT DECAL SS2	191.50	85632	PAN BASIN BOTTLED WATER BRWRS	52.60
85247	SWITCH, PRESSURE, PCI	147.40	85634	TUBE SILICONE .50 DIA X 3.75LG	4.70
85249	TEE 1/4FL X 1/4FL X 1/8 FNPT	10.50	85660	OVERLAY KEYPAD 1882	144.00
85259	ASSY QUICK DISCONNECT FEMALE	48.30	85678	LID SOLID ORANGE 7874	7.80

* OBSOLETE PART LIMITED TO STOCK ON HAND
NORMALLY SHIPPED IN TEN DAYS

PART NO	DESCRIPTION	LIST
85679	LID SOLID BLACK W/LEVER ACTION	7.80
85681	HOSE BRAID 6MMX299MM(1.75")SS	36.00
85683	LID ORANGE 7882	10.00
85685	VALV SOL DUAL 120V .75/BYPASS	50.00
85691	DECAL BASE 9511J	44.20
85699	HOPPER ASSY LEFT	81.40
85700	HOPPER ASSY RIGHT	81.40
85703	ADAPTER ASSY WATER INLET	4.70
85717	COVER ARTWORK	25.00
85718	GRAPHICS KFC	100.00
85722	LATCH MAGNETIC	9.20
85724	MIXING CHAMBER UPPER	19.60
85726	ELBOW HOPPER	4.30
85731	HINGE HOPPER COVER	12.70
85732	VACUUM CHAMBER	18.70
85737	TRANSLITE MAXWELL HOUSE	99.20
85741	BUSHING REDUCER 1 X 1/2 SCH 80	7.90
85746	ASSY PROBE LIQUID LEVEL	14.20
85752	VALV SOL DUAL 120V .15/BYPASS	54.00
85753	VALV SOL DUAL 120V .50/BYPASS	56.30
85754	VALV SOL TP SGL 120V .50 GPM	33.00
85755	VALV SOL DUAL 120V .50/.60 GPM	58.30
85760	VALV SOL TP SGL 220/240V 1 GPM	41.00
85778	HOSE BRAIDED W/BALL VLV 14 IN	41.70
85779	VALV SOL DUAL 120V .19/BYPASS	44.90
85798	COVER ARTWORK 2074EXT	25.00
85799	GRAPHICS KFC 2074EXT	180.00
# 85805	FAUCET SS WITH HANDLE	41.10
85806	KIT LOCK OUT SOLENOID SS2-SB	136.90
85812	TRANSFORMER STEP-DOWN	76.40
85820	DRAIN TRAY ASSY 9460-9470	74.50
85823	LID TOP 9460	18.00
85826	TOP PIVOT ASSY 9460-9470	8.30
85831	HOUSING SWITCH ASSY 9460-9470	53.80
85834	BLOWER 230V 60HZ	98.60
85835	DRAIN PAN TOP 9460-9470	135.50
85853	ELEM SILICONE 7.8 DIA 200W	196.60
85863	THERMO SELF RESET 140-122F	10.50
85865	FAUCET ASSY ES 3/8 NPSM THD	60.90
85876	COVER BTM WARMER SYRUP	67.40
85889	SPEED CONTROL GEAR MTR/PUMPS	135.00
85897	LID BLK THERMO SERVER 7775	13.30
85900	ELBOW 90 S X S 1" CPVC SCH 80	9.10
85901	ELBOW 90 CPVC MODIFIED	14.00
85903	PIPE 1" CPVC 3.5 LONG	11.40
85904	PIPE 1" CPVC 11.62 LONG	14.10
85905	COUPLING CPVC 1" S X S SCH 80	20.50
85906	HOSE CLAMP SS 2.00 MAX DIA	14.20
85907	GASKET VACUUM CHAMBER 9460	5.70
85911	BUSHING 7/8OD X 1/4WD	1.90
85912	COVER DRIP TRAY SS2HK	26.50
85914	LABEL WIRE DIA 9460KFT	6.00
85920	ASSY TRANSFORMER 240/12VAC	28.60

PART NO	DESCRIPTION	LIST
# 85921	LID ASSY ORANGE 7759	47.50
# 85922	BELLOWS 7760/7762	23.80
85923	ASSY FAN 9460	66.30
85928	TUBE SILICONE .50 I.D. X 5.00	8.00
85929	TUBE SILICONE .312 I.D. X 13.5	12.00
85931	DRAIN PAN TOP PAINTED 9460	260.40
85932	SWITCH HOUSING PAINTED 9460	53.80
85934	PANEL SWITCH MOUNTING SOL	14.90
85935	ACCESS PANEL PAINTED 9460	19.70
# 85939	AERATOR DISK TOMLINSON	3.00
85940	LID TOP PAINTED 9460	28.30
85944	TOP COVER REAR 9460	29.00
85945	TOP COVER REAR PAINTED 9460	34.30
85947	TOP PIVOT PAINTED 9460	14.70
85948	TOP FRAME 9460KFT 9465KFT	59.20
85950	LABEL TEMP READY WHEN OFF	5.80
85951	LABEL POWER ON SOLUBLE	6.40
85959	TRAY DRIP NO GRID	97.50
85966	THERMO 174 DEGREES	56.30
85972	STANDOFF SPEED CONTROL BOARD	0.60
85976	PROBE ASSY 1.61 LG	8.40
85987	VALV SOL SGL 120V 1GPM JAPAN	29.30
85998	ASSY TRANSFORMER 240/24VAC	28.00
86003	SEAL STEAM TRAP	2.20
# 86013	KIT RETROFIT VENT TUBE ASSY	42.60
86025	PORTION CONTROL 9465KFT	299.30
86030	ASSY BASIN PAN SEAL BTTL BRWR	77.90
86052	TRANSLITE CRAVING CAPPUCCINO	96.00
86058	COVER 3 GAL TEA DISPENSER PLAS	8.70
86059	COVER 5 GAL TEA DISPENSER PLAS	18.00
86065	LID ASSY BLACK 7790	8.80
86080	BRKT CIRCUIT BD/TERM BLOCK	18.30
86097	KIT BREW CHAMBER LOCK 8783MCD	282.90
86107	VALV SOL DUAL 240V .75/.75 GPM	45.30
86108	TUBE SILICONE .312 ID X 19 LG	7.00
86109	TUBE SILICONE .312 ID X 17 LG	7.90
86208	ELEM 240V 350W SIL W T-STAT	253.40
# 86234	CONNECTOR WIRED ASSY	155.80
86237	TUBE BRAIDED .38 ID X 21 LG	19.50
86239	FTG 1/4FFX3/8X90 BARB SS	6.80
86256	TANK CLAMP	23.50
86258	ASSY OR COVER BOTTLE BREWER	223.60
86263	WASHER THERMO-TORK .63X1.0X.06	1.20
86271	FAUCET ES NO DRIP CRM BLK HDL	36.00
86274	LABEL ICE TEA LUZIANNE	18.00
86280	T-STAT (REPLACES 8512-51)	44.00
86281	CUP GRID 9460	39.30
86282	NOZZLE STOP	5.40
86287	SHIELD SPLASH PAINTED BLACK	36.50
86288	SPACER GRAVITY SERVER 7754,56	2.60
86292	BOARD SET, CUSTOM PROGRAM SNB	460.00
86295	KIT DRAIN PAN SS2	99.50
86303	KIT RETRO SOLENOID 8783UK&MCD	112.40

PART NO	DESCRIPTION	LIST	PART NO	DESCRIPTION	LIST
86310	GRID DRAIN PAN	15.80	86830	BRACKET SPEED CONTROL	11.00
86313	LABEL WIRE DIA 9465KFT	5.80	86831	HOSE DUCT	11.20
86315	ASSY NOZZLE 9460 9465	66.80	86839	ELEM 208V/2750W	160.00
86325	KIT HOSE ADAPTER 9460/9465KFT	51.20	# 86840	PORT CONTROL 3 VLV 90-135VAC	360.00
86397	ADAPTER WATER INLET 9460	5.30	# 86841	PORT CONTROL 3 VLV 180-270VAC	315.40
86398	BONNET TOMLINSON FAUCT 1901901	10.10	86904	TUBE ASSY FORMED CU 1.85 X 1.3	11.70
86399	STEM TOMLINSON FAUCT 1902010	8.00	86905	TUBE SIL .375 ID X 11"	4.00
86439	TUBE OUTLET WATER 6 3/4 LG	13.90	86937	NOZZLE ASSY W/AERATOR 9460KFT	15.90
# 86453	WIRE SET 8764	40.40	86945	SWITCH ROCKER ON OFF LTD 125 C	2.50
86478	TUBE ASSY WTR INLET 8764	22.80	86976	COVER TOP 0420 1820 1820A	30.00
86479	DOOR MODIFIED 8740	4.90	87005	KIT SOLUBLE BYPASS RETROFIT	291.60
86487	LABEL BASIN FRONT 9003KFT	31.00	87023	CAP WASHER G223A	0.30
86489	TUBE SILICONE .313ID X 23 LG	8.00	87050	SPRING COMP .6 OD X .62 LONG	1.50
86490	HOSE BRAIDED W/BALL VLV 25.5IN	43.50	87052	SWITCH PANEL SPACER SOL	3.10
86491	KIT RETROFIT 8884	78.00	87057	LABEL NOZZLE POSITION SOLUBLE	8.00
86560	KIT SWITCH CONVERSION MECHANIC	242.40	87059	LABEL CLEANING INST SOLUBLE	8.00
86561	KIT SWITCH CONVERSION PORT CON	482.80	87119	KIT SKINNER VALVE RETRO 8742	198.20
86577	FAUCET & SHANK ASY PLASTIC BLK	83.80	87124	BASIN PAN MOLDED HORIZON	14.40
86594	SHAFT SPEED CONTROL	12.00	87125	TANK ASSY HORIZON	125.70
86595	DIAL PLATE SPEED CONTROL	30.00	87126	TANK COVER HORIZON	82.60
86597	FAUCET & SHANK ASY PLASTIC RED	102.90	87127	TUBE BREW SS HORIZON	6.90
86600	FAUCET BODY MODEL ESP PLASTIC	13.90	87128	TUBE FAUCET INLET HORIZON	8.00
86615	LABEL BASIN FRONT	11.90	87131	TUBE FAUCET HORIZON	13.80
86620	KIT BYPASS CONVERSION 9221	192.00	87132	SPACER FAUCET HORIZON	15.00
86644	KIT RETRO SOL BYPS 120V .50GPM	92.90	87133	ELBOW TANK INLET SIL HORIZON	5.00
86650	KIT RETRO SOL BYPS 120V .15GPM	99.80	87134	ELBOW TANK INLET SILICONE 0482	5.00
86651	BRKT BYPASS PLASTIC BREW BSKT	14.70	87135	COVER TOP 0412	72.50
86654	KIT RETRO SOL BYPS 120V 9102/4	111.90	87136	HOUSING MOLDED LEFT HORIZON	12.50
86660	WRENCH BRAID HOSE 7/16	4.20	87137	HOUSING MOLDED RIGHT HORIZON	16.60
86666	FILL PORT ASSY BREWERS PLASTIC	14.00	87138	SPACER CENTER HOUSHNG LONG	15.00
86672	LID BREW THRU BLACK 7878	13.00	87139	SPACER UPPER HOUSING 0412	53.30
86673	LID BREW THRU ORANGE 7878	13.00	87140	SPACER UPPER HPUSING 0443	47.50
86675	KNOB SPEED CONTROL ADJUSTMENT	8.60	87141	SPACER UPPER HOUSING 0472	50.00
86678	VALV SOL DUAL 120V .75/.19 GPM	51.30	87142	SPACER UPPER HOUSING 0471	47.50
86679	TUBE BRAIDED .38 ID X 1.75 LG	3.30	87143	SPACER UPPER HOUSING 0482	50.00
86687	FTG 1/4 SWIVEL FF X 3/8 BARB	5.40	87144	TIMER HORIZON	65.90
86688	TUBE BRAIDED .38 ID X 1.75 LG	5.00	87146	PLUG BUTTON MOLDED HORIZON	6.70
86696	BASIN COVER/PLASTIC FILL 8773	31.20	87147	BASE INLINE 0412 0443	40.00
86700	COVER BASIN PLASTIC FILL 8790	101.20	87148	PANEL FRONT 0412	52.50
86706	KIT VENT 1882	37.00	87149	LOWER HOUSING 0412/0482	53.00
86707	LID ASSY 7760	47.50	87150	TUBE FILL PORT 0412	10.00
86708	LID ASSY 7762	47.50	87151	PLUG FILL PORT 0412	5.00
86771	INLET VENT TUBE ASSY	44.40	87152	LOWER HOUSING 0443	50.00
86782	SLEEVE THERMOSTAT BULB 18.50	26.00	87153	PANEL FRONT 0443	50.00
86796	SOL VALV ADJ 220/240V HIGH FLO	99.40	87154	BASE 0471 0472	42.70
86802	BASE 0420	40.00	87155	PANEL FRONT 0472	77.50
86811	CHUTE LEFT CANISTER	9.60	87156	PANEL FRONT 0471	77.50
86812	CHUTE RIGHT CANISTER	9.60	87157	LOWER HOUSING 0472	52.50
86816	LOWER HOUSING 0420	170.00	87158	LOWER HOUSING 0471	40.00
86818	DRIP TRAY 0420 1820 1820A	27.40	87159	COVER TOP 0472 0482	30.00
86822	CUP GRID HOT WATER 0420 1820	14.00	87160	COVER TOP 0471	32.50
86828	PLATE GEAR MOTOR MOUNTING	5.00	87161	COVER STEPUP 0471 0472	17.50
86829	GEAR MOTOR ASSY CANISTERS	47.90	87162	BASE 0482	20.00

* OBSOLETE PART LIMITED TO STOCK ON HAND
NORMALLY SHIPPED IN TEN DAYS

PART NO	DESCRIPTION	LIST
87163	PANEL FRONT 0482	30.00
87164	BASE PLATE 0482	77.20
87165	LEG ADJUSTABLE 0482	27.00
87166	LEG EXTENSION LONG 0482	41.00
87167	LEG EXTENSION SHORT 0482	16.90
87168	SCREW LEG 0482	60.00
87169	GRID BASE PLATE 0482	15.90
87171	COVER TANK 0420 1820 1820A	59.50
87172	TUBE TANK INLET SS 0420 1820	12.50
87173	TUBE TANK OUTLET SS 0420 1820	8.60
87175	SPACER CENTER HOUSING SHORT	6.40
87176	CONTROLLER 0420 1820 1820A	156.00
87177	STANDOFF CONTROLLER 0420/1820	5.00
87178	MAGNETIC LATCH 0420 1820 1820A	5.00
87190	SCREW BLK #6 HI-LO FLT HD 3/8	3.30
87260	SLEEVE THERMOSTAT BULB 11.00	98.00
87263	SLEEVE THERMOSTAT BULB 14.75	65.30
87284	LID BREW THRU SERV 7885 BLACK	8.20
87285	LID BREW THRU SERV 7885 ORANGE	8.20
87291	TANK ASSEMBLY WM-TR II	541.50
87301	GASKET TANK WM-TR II	18.20
87308	BREW CHAMBER 0420	15.00
# 87436	KIT SOLUBLE VACUUM MIXING	95.00
87439	KIT 9465 TO 9460 RETROFIT	778.10
87444	RELAY SOLID STATE 240V 100A	225.00
87446	CONNECTOR WIRED ASSY WM-TR II	95.80
87468	TUBE BRAIDED .38 ID X 10 LG	11.60
# 87470	KIT FAUCET CONVERSION 9522HK	950.00
87494	INSTR 240V 8783MCD	230.90
87524	KIT TANK 9461KFT	1919.00
87585	BREW CHMBR GRN HANDLE SS 2.8MM	54.00
87697	WASHERS(SERV) AERATOR FAUCET	1.60
900022	REAR COVER 8357G &GB ACCESSORY	111.50
C 253	SWITCH TIP	15.00
D 20002-3	SCREWS(SERV)10-32X5/16PH PN SS	0.30
F60-130	BRKT MTG FILTER	23.40
IWH 1-6	LABEL CAUTION HOT	2.10
# PF-6TOL	KIT PLUMBING FILTER	258.40
PMK	KIT PARTS BREWER COFFEE	300.00
PMK9522HK	KIT PARTS 9522HK SS2 HONG KONG	3440.70
PMK-E	KIT EXPORT PMK 240V	364.00
PMKMAX	KIT PARTS BREWER E-MAX	297.50
PMKSS	KIT PARTS BREWER SS1 SS2	533.90
PMK-T	KIT PARTS BREWER TEA	220.00
POF	FILTER PAPER CS 1000	15.00
# RF-6TOL	FILTER REPLACEMENT	112.80
# RF-KIT	KIT RF RETRO FITTINGS	83.40
+ SA 9052	STRAINER	20.90



WELLS BLOOMFIELD
a Division of Carrier Commercial Refrigeration, Inc.
2 Erik Circle ♦ P.O. Box 280
Verdi, Nevada 89439
(775) 689-5700 ♦ FAX (775) 689-5972